



BRAKE PAD PRIME CERAMIC P30068N

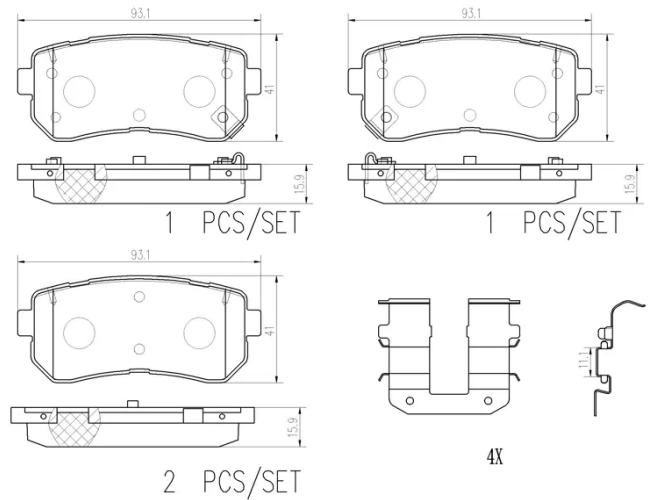
The P30068N NAO brake pad is synonymous with reliability

Brembo NAO brake pads stand out for their ultimate braking comfort, reduced friction wear and low dust mission, which makes for cleaner rims and reduced maintenance requirements. The advanced friction material in keeping with the strictest environmental standards is the main distinguishing feature of NAO compounds.

- ✓ OE-equivalent
- ✓ Brembo quality
- ✓ Safety
- ✓ Comfort
- ✓ Durability
- ✓ Dust reduction
- ✓ With accessories

Technical specifications

EAN code 8020584118832	Axle Rear	Thickness 16 mm
Width 93 mm	Height 41 mm	Braking system Mando
Wear indicator Acoustic	WVA number 25677,25678,25679	Accessories With anti-squeal shim



COMPATIBLE VEHICLES

COMPATIBLE OE PART NUMBERS

583021KA30	HYUNDAI
583021YA00	HYUNDAI
58302C2A10	HYUNDAI
58302E6A10	HYUNDAI
58302J9A00	HYUNDAI
58302J9A50	HYUNDAI
58302J9A70	HYUNDAI
58302M0A00	HYUNDAI
58302M0A01	HYUNDAI
58302M0A10	HYUNDAI
583022ZA30	HYUNDAI (BEIJING)
58302C9A50	HYUNDAI (BEIJING)
58302C9A60	HYUNDAI (BEIJING)
58302F8A00	HYUNDAI (BEIJING)
58302J4A30	HYUNDAI (BEIJING)
583021YA50	KIA
58302A3A00	KIA
58302B2A50	KIA
58302C1A15	KIA
58302D4A00	KIA
58302D7A00	KIA
58302M0A11	KIA
58302Q5A00	KIA
5583021YA50	KIA
58302B3A60	KIA (DYK)
58302C9A50	KIA (DYK)
58302F8A00	KIA (DYK)
58302H2A30	KIA (DYK)
58302J4A30	KIA (DYK)