



BRAKE PAD PRIME CERAMIC P36018N

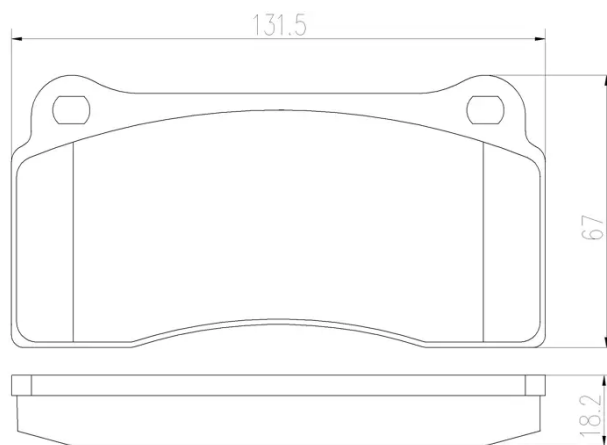
The P36018N NAO brake pad is synonymous with reliability

Brembo NAO brake pads stand out for their ultimate braking comfort, reduced friction wear and low dust mission, which makes for cleaner rims and reduced maintenance requirements. The advanced friction material in keeping with the strictest environmental standards is the main distinguishing feature of NAO compounds.

- ✓ OE-equivalent
- ✓ Brembo quality
- ✓ Safety
- ✓ Comfort
- ✓ Durability
- ✓ Dust reduction
- ✓ With accessories

Technical specifications

EAN code	Axle	Thickness
8020584088647	Front and rear	18 mm
Width	Height	Braking system
132 mm	67 mm	Brembo
Wear indicator	WVA number	Accessories
Without	23293	With anti-squeal shim



4 PCS/SET

COMPATIBLE VEHICLES

COMPATIBLE OE PART NUMBERS

2886280PK ASTON MARTIN

JLM21280 DAIMLER

MXD1550AA DAIMLER

02MXD1550AB JAGUAR

JLM21280 JAGUAR

MXD1550AA JAGUAR

MXD1550AB JAGUAR

D4060JF20C NISSAN
