



# BRAKE PAD PRIME CERAMIC P50040N

The P50040N NAO brake pad is synonymous with reliability

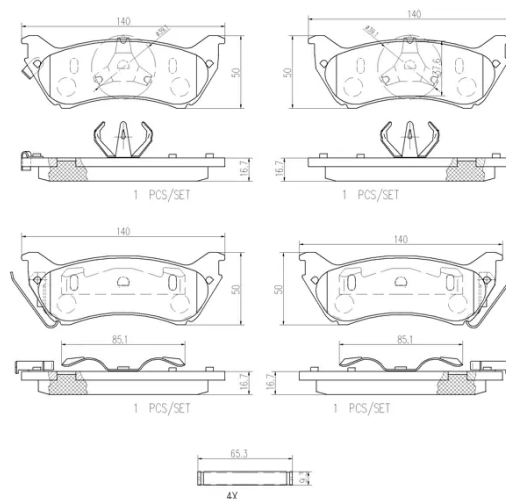
Brembo NAO brake pads stand out for their ultimate braking comfort, reduced friction wear and low dust mission, which makes for cleaner rims and reduced maintenance requirements. The advanced friction material in keeping with the strictest environmental standards is the main distinguishing feature of NAO compounds.

- ✓ OE-equivalent
- ✓ Brembo quality
- ✓ Safety
- ✓ Comfort
- ✓ Durability
- ✓ Dust reduction
- ✓ With accessories



## Technical specifications

EAN code <b>8020584088852</b>	Axle <b>Rear</b>	Thickness <b>17 mm</b>
Width <b>140 mm</b>	Height <b>50 mm</b>	Braking system <b>Bosch</b>
Wear indicator <b>Acoustic</b>	WVA number <b>23189,23190,23191,23192</b>	Accessories <b>With accessories</b> <b>With anti-squeal shim</b> <b>With piston clip</b>



COMPATIBLE VEHICLES

## COMPATIBLE OE PART NUMBERS

0424711950 MERCEDES-BENZ

---

1634200120 MERCEDES-BENZ

---

1634200420 MERCEDES-BENZ

---

A0424711950 MERCEDES-BENZ

---

A1634200120 MERCEDES-BENZ

---

A1634200420 MERCEDES-BENZ

---