



BRAKE PAD PRIME CERAMIC P50137N

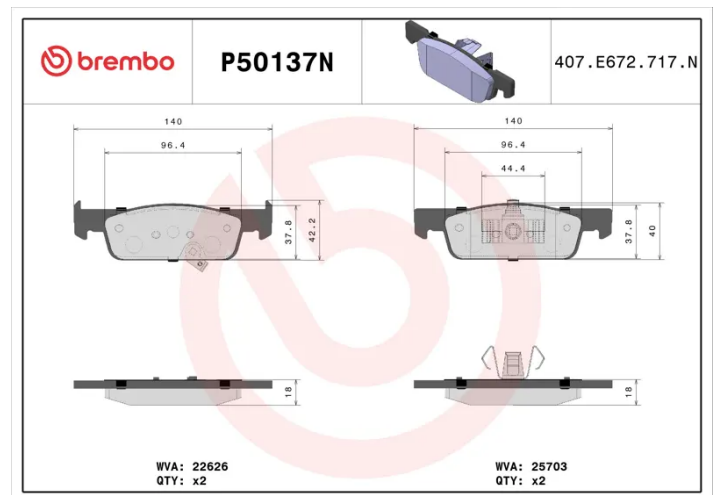
The P50137N NAO brake pad is
synonymous with reliability

Brembo NAO brake pads stand out for their ultimate braking comfort, reduced friction wear and low dust mission, which makes for cleaner rims and reduced maintenance requirements. The advanced friction material in keeping with the strictest environmental standards is the main distinguishing feature of NAO compounds.

- ✓ OE-equivalent
- ✓ Brembo quality
- ✓ Safety
- ✓ Comfort
- ✓ Durability
- ✓ Dust reduction
- ✓ With accessories

Technical specifications

EAN code 8020584115404	Axle Front	Thickness 18 mm
Width 140 mm	Height 40 mm	Braking system Teves
Wear indicator Acoustic	WVA number 22626,25703	Accessories With accessories With anti-squeal shim With piston clip



COMPATIBLE VEHICLES

COMPATIBLE OE PART NUMBERS

410603025R	RENAULT
------------	---------

4534211100	SMART
------------	-------

4534212100	SMART
------------	-------

A4534211100	SMART
-------------	-------

A4534212100	SMART
-------------	-------
