



BRAKE PAD PRIME CERAMIC P61051N

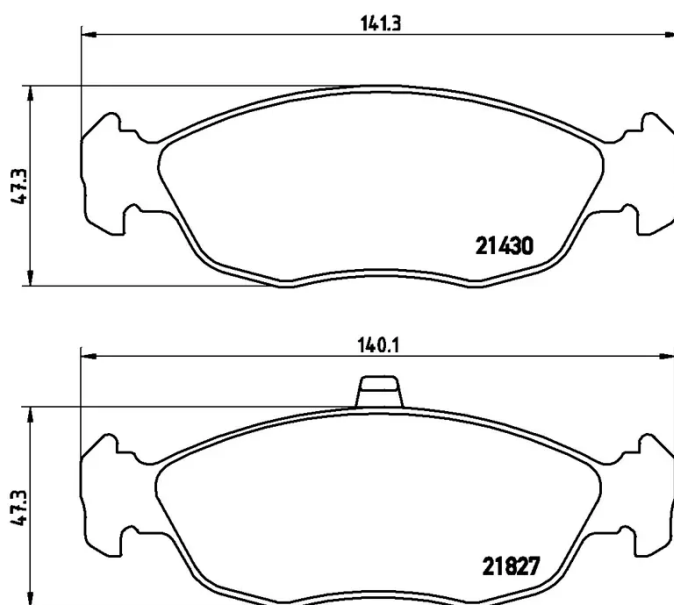
The P61051N NAO brake pad is synonymous with reliability

Brembo NAO brake pads stand out for their ultimate braking comfort, reduced friction wear and low dust mission, which makes for cleaner rims and reduced maintenance requirements. The advanced friction material in keeping with the strictest environmental standards is the main distinguishing feature of NAO compounds.

- ✓ OE-equivalent
- ✓ Brembo quality
- ✓ Safety
- ✓ Comfort
- ✓ Durability
- ✓ Dust reduction
- ✓ With accessories

Technical specifications

EAN code	Axle	Thickness
8020584114070	Front	17 mm
Width	Height	Braking system
140 mm	48 mm	Teves
Wear indicator	WVA number	Accessories
Without	21430,21827	With accessories With anti-squeal shim With piston clip



COMPATIBLE VEHICLES

COMPATIBLE OE PART NUMBERS

1611458480	CITROËN
415188	CITROËN
425121	CITROËN
425134	CITROËN
425138	CITROËN
425139	CITROËN
425142	CITROËN
425167	CITROËN
425170	CITROËN
425267	CITROËN
425306	CITROËN
425450	CITROËN
425482	CITROËN
E172083	CITROËN
E172513	CITROËN
1611458480	PEUGEOT
1617252480	PEUGEOT
415188	PEUGEOT
425121	PEUGEOT
425134	PEUGEOT
425138	PEUGEOT
425139	PEUGEOT
425142	PEUGEOT
425167	PEUGEOT
425170	PEUGEOT
425267	PEUGEOT
425304	PEUGEOT
425306	PEUGEOT
425450	PEUGEOT
425482	PEUGEOT
E172083	PEUGEOT
E172513	PEUGEOT
E172540	PEUGEOT