

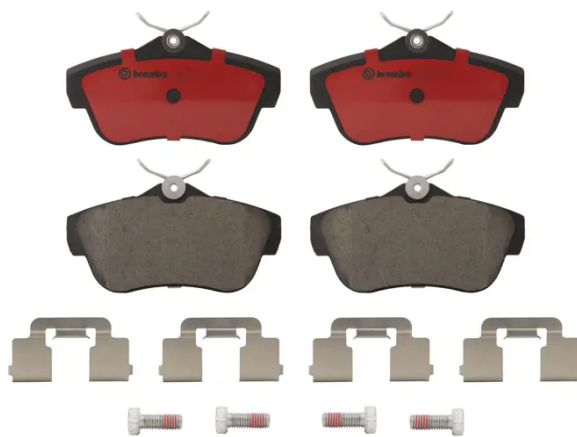


BRAKE PAD PRIME CERAMIC P61095N

The P61095N NAO brake pad is synonymous with reliability

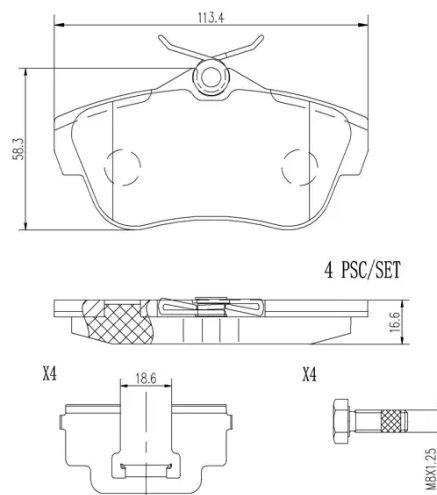
Brembo NAO brake pads stand out for their ultimate braking comfort, reduced friction wear and low dust mission, which makes for cleaner rims and reduced maintenance requirements. The advanced friction material in keeping with the strictest environmental standards is the main distinguishing feature of NAO compounds.

- ✓ OE-equivalent
- ✓ Brembo quality
- ✓ Safety
- ✓ Comfort
- ✓ Durability
- ✓ Dust reduction
- ✓ With accessories



Technical specifications

EAN code 8020584089460	Axle Rear	Thickness 17 mm
Width 113 mm	Height 58 mm	Braking system Lucas
Wear indicator Without	WVA number 24578	Accessories With anti-squeal shim With brake caliper bolts With accessories



COMPATIBLE VEHICLES

COMPATIBLE OE PART NUMBERS

1611839580 CITROËN

1617280980 CITROËN

1673601480 CITROËN

167360180 CITROËN

425367 CITROËN

425368 CITROËN

425497 CITROËN

77364513 FIAT

9467549087 FIAT

1617280980 PEUGEOT

425367 PEUGEOT

425368 PEUGEOT

425497 PEUGEOT

SU001A1065 TOYOTA
