



# BRAKE PAD PRIME CERAMIC P61096N

The P61096N NAO brake pad is synonymous with reliability

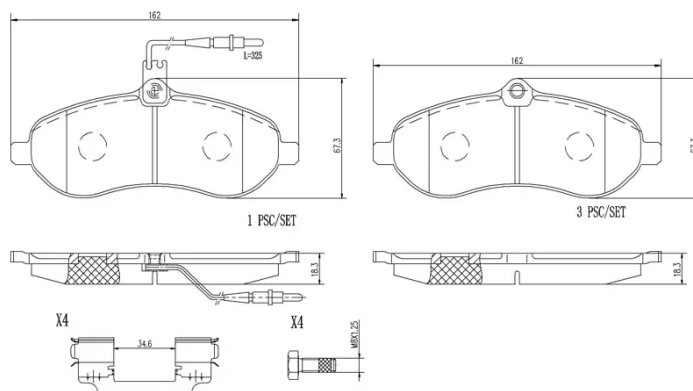
Brembo NAO brake pads stand out for their ultimate braking comfort, reduced friction wear and low dust mission, which makes for cleaner rims and reduced maintenance requirements. The advanced friction material in keeping with the strictest environmental standards is the main distinguishing feature of NAO compounds.

- ✓ OE-equivalent
- ✓ Brembo quality
- ✓ Safety
- ✓ Comfort
- ✓ Durability
- ✓ Dust reduction
- ✓ With accessories



## Technical specifications

EAN code <b>8020584089477</b>	Axle <b>Front</b>	Thickness <b>18 mm</b>
Width <b>162 mm</b>	Height <b>67 mm</b>	Braking system <b>Lucas</b>
Wear indicator <b>Electric</b>	WVA number <b>24608,24595</b>	Accessories <b>With brake caliper bolts</b> <b>With accessories</b> <b>With anti-squeal shim</b>



COMPATIBLE VEHICLES

## COMPATIBLE OE PART NUMBERS

1611839880 CITROËN

---

1617279580 CITROËN

---

1623160380 CITROËN

---

1673601380 CITROËN

---

425363 CITROËN

---

425364 CITROËN

---

425365 CITROËN

---

425366 CITROËN

---

4254A1 CITROËN

---

4254A2 CITROËN

---

0009467548988 FIAT

---

425364 FIAT

---

71770048 FIAT

---

71770050 FIAT

---

77364511 FIAT

---

77364512 FIAT

---

9467548887 FIAT

---

9467548888 FIAT

---

9467548987 FIAT

---

9467548988 FIAT

---

1617279580 PEUGEOT

---

425363 PEUGEOT

---

425364 PEUGEOT

---

425365 PEUGEOT

---

425366 PEUGEOT

---

4254A1 PEUGEOT

---

4254A2 PEUGEOT

---

SU001A1066 TOYOTA

---

SU001A1067 TOYOTA

---