



BRAKE PAD PRIME CERAMIC P61103N

The P61103N NAO brake pad is synonymous with reliability

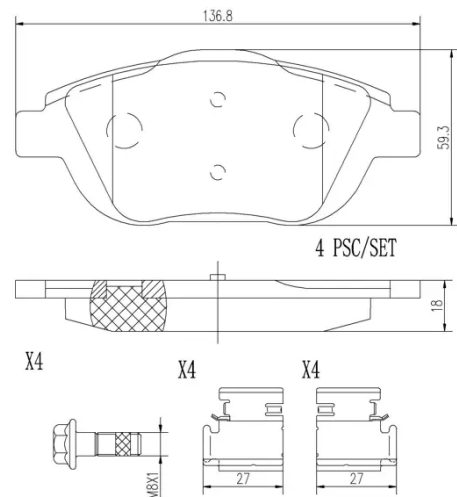
Brembo NAO brake pads stand out for their ultimate braking comfort, reduced friction wear and low dust mission, which makes for cleaner rims and reduced maintenance requirements. The advanced friction material in keeping with the strictest environmental standards is the main distinguishing feature of NAO compounds.

- ✓ OE-equivalent
- ✓ Brembo quality
- ✓ Safety
- ✓ Comfort
- ✓ Durability
- ✓ Dust reduction
- ✓ With accessories



Technical specifications

EAN code 8020584089507	Axle Front	Thickness 18 mm
Width 137 mm	Height 59 mm	Braking system Bosch
Wear indicator Without	WVA number 24883	Accessories With accessories With anti-squeal shim With brake caliper bolts



COMPATIBLE VEHICLES

COMPATIBLE OE PART NUMBERS

1607083180 CITROËN

161140580 CITROËN

1611837880 CITROËN

1613192580 CITROËN

1617275680 CITROËN

1617293780 CITROËN

1629038380 CITROËN

1684909680 CITROËN

425431 CITROËN

1607083180 DS

1613192580 DS

1617275680 DS

425431 DS

1647863580 OPEL

3649095 OPEL

1607083180 PEUGEOT

1611140580 PEUGEOT

1611837880 PEUGEOT

1613192580 PEUGEOT

1617275680 PEUGEOT

1629038380 PEUGEOT

425431 PEUGEOT

9862568880 PEUGEOT

3649095 VAUXHALL
