



BRAKE PAD PRIME CERAMIC P68048N

The P68048N NAO brake pad is synonymous with reliability

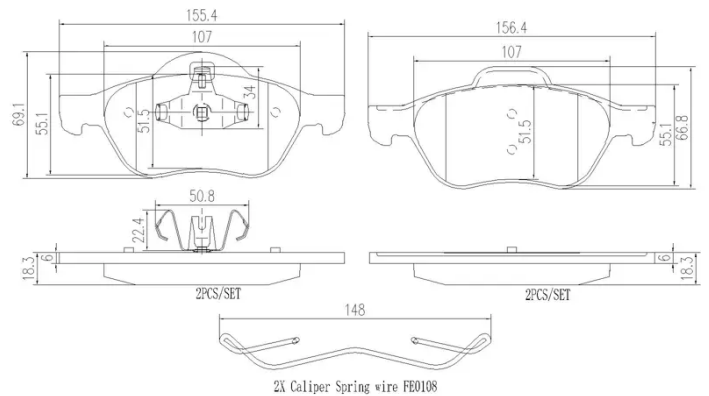
Brembo NAO brake pads stand out for their ultimate braking comfort, reduced friction wear and low dust mission, which makes for cleaner rims and reduced maintenance requirements. The advanced friction material in keeping with the strictest environmental standards is the main distinguishing feature of NAO compounds.

- ✓ OE-equivalent
- ✓ Brembo quality
- ✓ Safety
- ✓ Comfort
- ✓ Durability
- ✓ Dust reduction
- ✓ With accessories



Technical specifications

EAN code 8020584114346	Axle Front	Thickness 18 mm
Width 155 mm	Height 67 mm	Braking system Teves
Wear indicator Without	WVA number 23215,24535	Accessories With accessories With anti-squeal shim With piston clip



COMPATIBLE VEHICLES

COMPATIBLE OE PART NUMBERS

410601237R	RENAULT
------------	---------

7701209100	RENAULT
------------	---------

7701209670	RENAULT
------------	---------

7701210127	RENAULT
------------	---------

7711130086	RENAULT
------------	---------

8671016654	RENAULT
------------	---------
