



# BRAKE PAD PRIME CERAMIC P83058N

**The P83058N NAO brake pad is synonymous with reliability**

Brembo NAO brake pads stand out for their ultimate braking comfort, reduced friction wear and low dust mission, which makes for cleaner rims and reduced maintenance requirements. The advanced friction material in keeping with the strictest environmental standards is the main distinguishing feature of NAO compounds.

- ✓ OE-equivalent
- ✓ Brembo quality
- ✓ Safety
- ✓ Comfort
- ✓ Durability
- ✓ Dust reduction
- ✓ With accessories



## Technical specifications

EAN code  
**8020584099650**

Axle  
**Front**

Thickness  
**16 mm**

Width  
**118 mm**

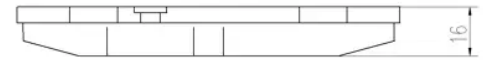
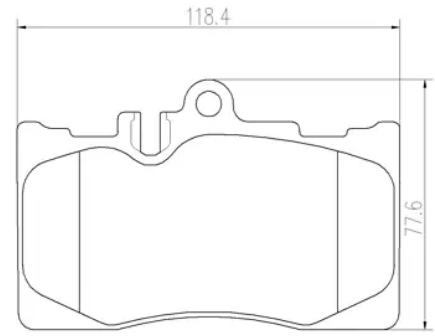
Height  
**78 mm**

Braking system  
**Advics**

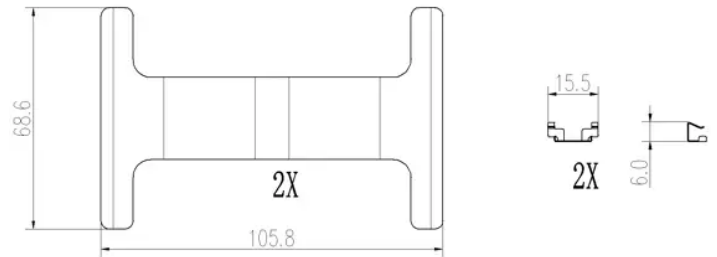
Wear indicator  
**Prepared for wear indicator**

WVA number  
**23331**

Accessories  
**With anti-squeal shim**



4 PCS/SET



## COMPATIBLE VEHICLES

## COMPATIBLE OE PART NUMBERS

044650W06000	LEXUS
0446548020	LEXUS
0446548090	LEXUS
0446550170	LEXUS
0446550171	LEXUS
0446550180	LEXUS
0446550190	LEXUS
0446550210	LEXUS
0446550230	LEXUS
0446550240	LEXUS
0446550250	LEXUS
044650W030	TOYOTA
044650W060	TOYOTA
0446550170	TOYOTA