



BRAKE PAD PRIME CERAMIC P83132N

The P83132N NAO brake pad is synonymous with reliability

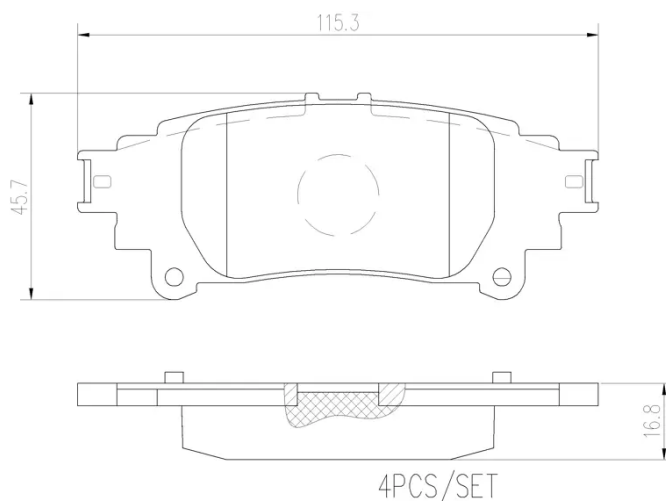
Brembo NAO brake pads stand out for their ultimate braking comfort, reduced friction wear and low dust mission, which makes for cleaner rims and reduced maintenance requirements. The advanced friction material in keeping with the strictest environmental standards is the main distinguishing feature of NAO compounds.

- ✓ OE-equivalent
- ✓ Brembo quality
- ✓ Safety
- ✓ Comfort
- ✓ Durability
- ✓ Dust reduction
- ✓ With accessories



Technical specifications

EAN code 8020584081976	Axle Rear	Thickness 17 mm
Width 115 mm	Height 46 mm	Braking system Akebono
Wear indicator Without	WVA number 25525	Accessories With accessories With anti-squeal shim With piston clip



COMPATIBLE VEHICLES

COMPATIBLE OE PART NUMBERS

0446630280 LEXUS

044663028079 LEXUS

0446630281 LEXUS

044663028179 LEXUS

0446630282 LEXUS

044663028279 LEXUS

0446630290 LEXUS

0446630310 LEXUS

044663031079 LEXUS

0446630311 LEXUS

044663031179 LEXUS

0446630312 LEXUS

044663031279 LEXUS

0446653020 LEXUS

446653020 LEXUS

0446630330 TOYOTA
