



BRAKE PAD

P 09 028

The P 09 028 brake pad is synonymous with reliability

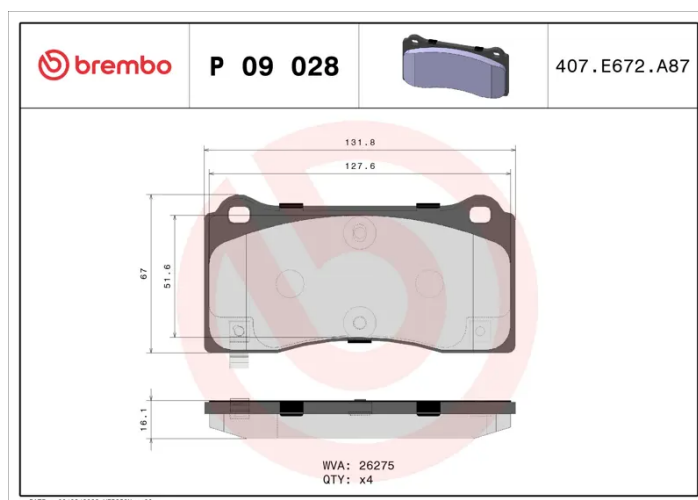
The Brembo brake pad guarantees ultimate safety when braking thanks to the use of more than 100 different compounds, designed according to the type of vehicle and use. Stopping distances reduced to a minimum, maximum driving comfort and silent operation are the most important features of Brembo materials. Brembo brake pads are supplied together with an extensive range of accessories and assembly kits for professional-standard installation.

- ✓ OE-equivalent
- ✓ Brembo quality
- ✓ ECE-R90 certificate
- ✓ Safety
- ✓ Performance
- ✓ Comfort



Technical specifications

EAN code 8020584118986	Axle Front	Thickness 16 mm
Width 132 mm	Height 67 mm	Braking system Brembo
Wear indicator Acoustic	WVA number 26275	Accessories With anti-squeal shim



COMPATIBLE VEHICLES

COMPATIBLE OE PART NUMBERS

800824000A	TESLA
------------	-------

800824000B	TESLA
------------	-------

800824000C	TESLA
------------	-------

800824099A	TESLA
------------	-------
