



BRAKE PAD

P 10 011

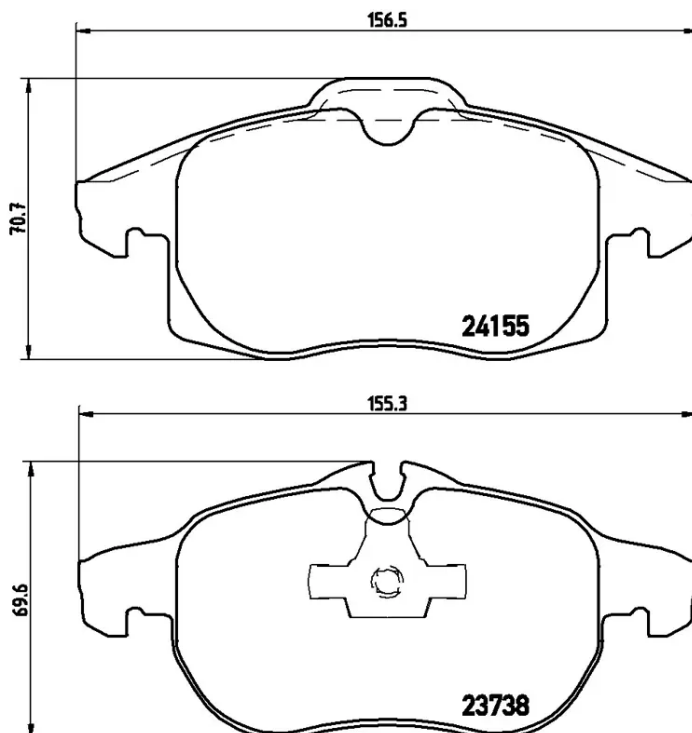
The P 10 011 brake pad is synonymous with reliability

The Brembo brake pad guarantees ultimate safety when braking thanks to the use of more than 100 different compounds, designed according to the type of vehicle and use. Stopping distances reduced to a minimum, maximum driving comfort and silent operation are the most important features of Brembo materials. Brembo brake pads are supplied together with an extensive range of accessories and assembly kits for professional-standard installation.

- ✓ OE-equivalent
- ✓ Brembo quality
- ✓ ECE-R90 certificate
- ✓ Safety
- ✓ Performance
- ✓ Comfort
- ✓ With accessories

Technical specifications

EAN code 8020584060100	Axle Front	Thickness 21 mm
Width 155 mm	Height 70 mm	Braking system Teves
Wear indicator Prepared for wear indicator	WVA number 23738,24155	Accessories With accessories With anti-squeal shim With piston clip



COMPATIBLE OE PART NUMBERS

128417745	BAIC
1605137	GENERAL MOTORS
93188112	GENERAL MOTORS
1605095	OPEL
1605137	OPEL
93185752	OPEL
93188112	OPEL
1605095	VAUXHALL
1605137	VAUXHALL
93185752	VAUXHALL
93188112	VAUXHALL