



BRAKE PAD

P 16 007

The P 16 007 brake pad is synonymous with reliability

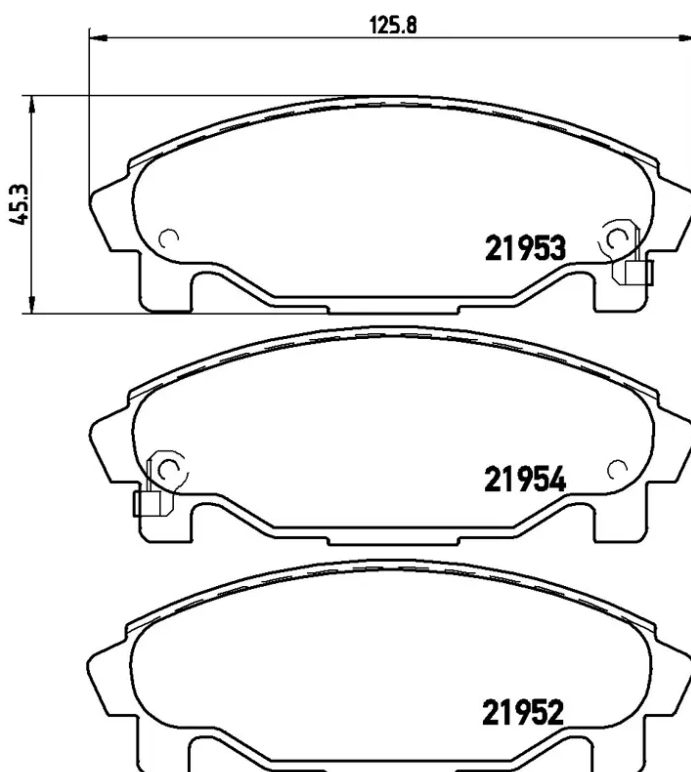
The Brembo brake pad guarantees ultimate safety when braking thanks to the use of more than 100 different compounds, designed according to the type of vehicle and use. Stopping distances reduced to a minimum, maximum driving comfort and silent operation are the most important features of Brembo materials. Brembo brake pads are supplied together with an extensive range of accessories and assembly kits for professional-standard installation.

- ✓ OE-equivalent
- ✓ Brembo quality
- ✓ ECE-R90 certificate
- ✓ Safety
- ✓ Performance
- ✓ Comfort



Technical specifications

EAN code	Axle	Thickness
8020584050675	Front	16 mm
Width	Height	Braking system
126 mm	45 mm	Akebono
Wear indicator	WVA number	Accessories
Acoustic	21952,21953,21954	With anti-squeal shim



COMPATIBLE OE PART NUMBERS

0049187727000	DAIHATSU
0449187724	DAIHATSU
0449187724000	DAIHATSU
0449187725	DAIHATSU
0449187725000	DAIHATSU
0449187727	DAIHATSU
0449187727000	DAIHATSU
0449187728	DAIHATSU
0449187728000	DAIHATSU
0449187731	DAIHATSU
0449187731000	DAIHATSU
AY040DA003	NISSAN