



BRAKE PAD

P 23 115

The P 23 115 brake pad is synonymous with reliability

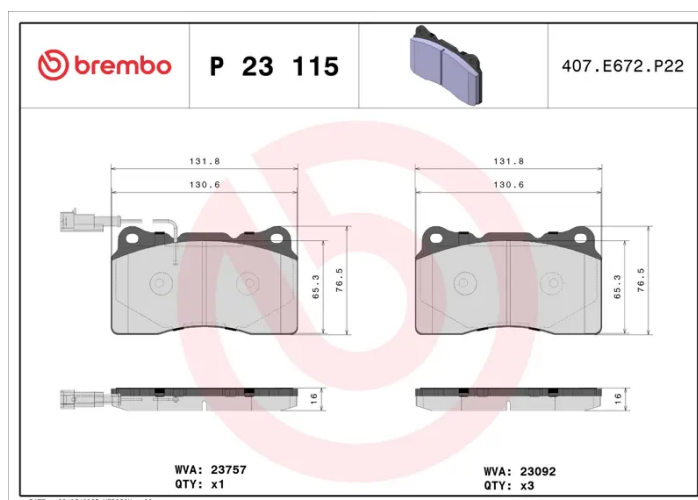
The Brembo brake pad guarantees ultimate safety when braking thanks to the use of more than 100 different compounds, designed according to the type of vehicle and use. Stopping distances reduced to a minimum, maximum driving comfort and silent operation are the most important features of Brembo materials. Brembo brake pads are supplied together with an extensive range of accessories and assembly kits for professional-standard installation.

- ✓ OE-equivalent
- ✓ Brembo quality
- ✓ ECE-R90 certificate
- ✓ Safety
- ✓ Performance
- ✓ Comfort



Technical specifications

EAN code 8020584060285	Axle Front	Thickness 16 mm
Width 132 mm	Height 77 mm	Braking system Brembo
Wear indicator Electric	WVA number 23092,23757	Accessories With anti-squeal shim



COMPATIBLE VEHICLES

COMPATIBLE OE PART NUMBERS

71765647 ALFA ROMEO

77364516 ALFA ROMEO

77365266 LANCIA

980156041 MASERATI

980156147 MASERATI

980157007 MASERATI
