



BRAKE PAD

P 24 065

The P 24 065 brake pad is synonymous with reliability

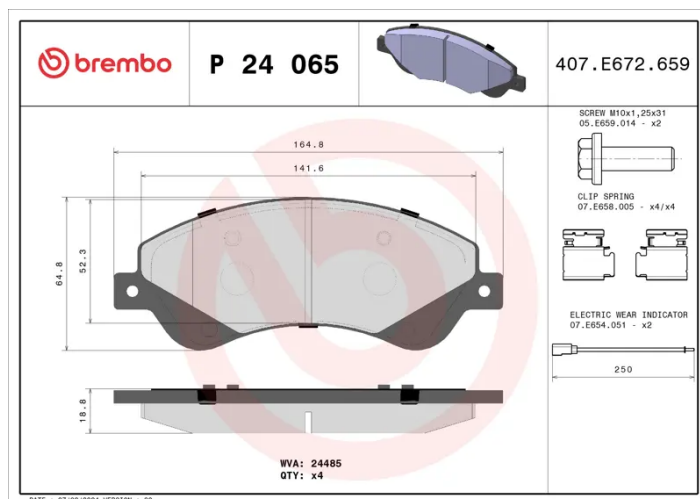
The Brembo brake pad guarantees ultimate safety when braking thanks to the use of more than 100 different compounds, designed according to the type of vehicle and use. Stopping distances reduced to a minimum, maximum driving comfort and silent operation are the most important features of Brembo materials. Brembo brake pads are supplied together with an extensive range of accessories and assembly kits for professional-standard installation.

- ✓ OE-equivalent
- ✓ Brembo quality
- ✓ ECE-R90 certificate
- ✓ Safety
- ✓ Performance
- ✓ Comfort
- ✓ With accessories



Technical specifications

EAN code 8020584059470	Axle Front	Thickness 19 mm
Width 165 mm	Height 65 mm	Braking system Bosch
Wear indicator Electric	WVA number 24485	Accessories With accessories With anti-squeal shim With brake caliper bolts



COMPATIBLE VEHICLES

COMPATIBLE OE PART NUMBERS

1371403 FORD

1433954 FORD

1534428 FORD

1554523 FORD

1560023 FORD

1721086 FORD

1824347 FORD

6C112K021BB FORD

6C112K021BC FORD

6C112K021BD FORD

6C112K021BE FORD

9C112K021BA FORD

ME6C1J2K021BA FORD

ME6C1J2K021BB FORD
