



BRAKE PAD

P 50 065

The P 50 065 brake pad is synonymous with reliability

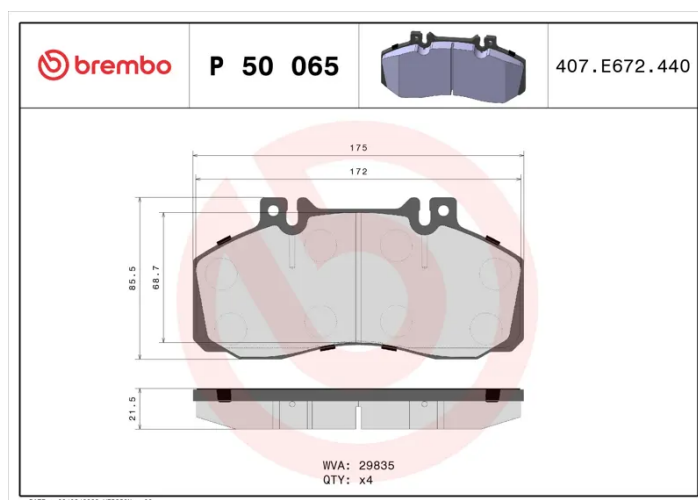
The Brembo brake pad guarantees ultimate safety when braking thanks to the use of more than 100 different compounds, designed according to the type of vehicle and use. Stopping distances reduced to a minimum, maximum driving comfort and silent operation are the most important features of Brembo materials. Brembo brake pads are supplied together with an extensive range of accessories and assembly kits for professional-standard installation.

- ✓ OE-equivalent
- ✓ Brembo quality
- ✓ ECE-R90 certificate
- ✓ Safety
- ✓ Performance
- ✓ Comfort



Technical specifications

EAN code 8020584059821	Axle Rear	Thickness 22 mm
Width 175 mm	Height 86 mm	Braking system Teves
Wear indicator Prepared for wear indicator	WVA number 29835	Accessories With anti-squeal shim



COMPATIBLE VEHICLES

COMPATIBLE OE PART NUMBERS

0074207220	MERCEDES-BENZ
A0064208820	MERCEDES-BENZ