



BRAKE PAD

P 50 135

The P 50 135 brake pad is synonymous with reliability

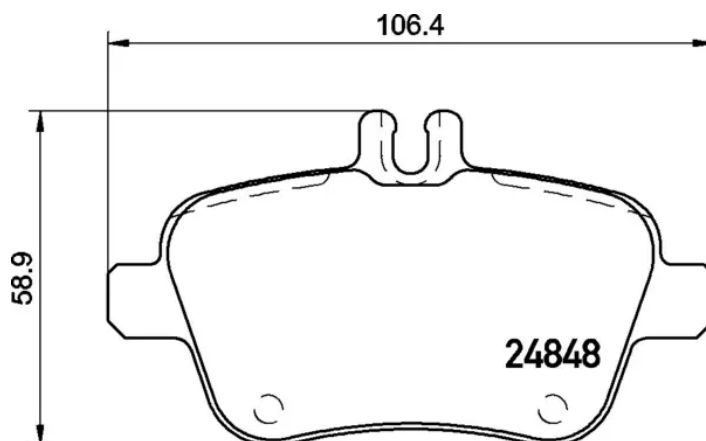
The Brembo brake pad guarantees ultimate safety when braking thanks to the use of more than 100 different compounds, designed according to the type of vehicle and use. Stopping distances reduced to a minimum, maximum driving comfort and silent operation are the most important features of Brembo materials. Brembo brake pads are supplied together with an extensive range of accessories and assembly kits for professional-standard installation.

- ✓ OE-equivalent
- ✓ Brembo quality
- ✓ ECE-R90 certificate
- ✓ Safety
- ✓ Performance
- ✓ Comfort
- ✓ With accessories



Technical specifications

EAN code	Axle	Thickness
8020584115145	Rear	18 mm
Width	Height	Braking system
106 mm	59 mm	TRW
Wear indicator	WVA number	Accessories
Prepared for wear indicator	24848	With accessories With anti-squeal shim With brake caliper bolts



COMPATIBLE VEHICLES

COMPATIBLE OE PART NUMBERS

440605DA0C

INFINITI

44060HG00C

INFINITI

0004207604

MERCEDES-BENZ

0074203420

MERCEDES-BENZ

0084202320

MERCEDES-BENZ

A0074203420

MERCEDES-BENZ

A0084202320

MERCEDES-BENZ