



# BRAKE PAD

## P 59 102

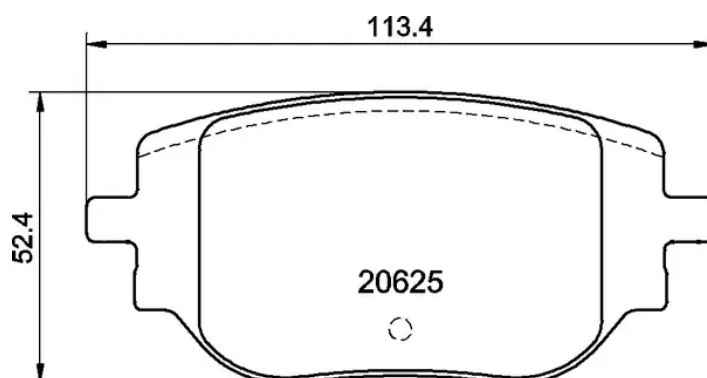
The P 59 102 brake pad is synonymous with reliability

The Brembo brake pad guarantees ultimate safety when braking thanks to the use of more than 100 different compounds, designed according to the type of vehicle and use. Stopping distances reduced to a minimum, maximum driving comfort and silent operation are the most important features of Brembo materials. Brembo brake pads are supplied together with an extensive range of accessories and assembly kits for professional-standard installation.

- ✓ OE-equivalent
- ✓ Brembo quality
- ✓ ECE-R90 certificate
- ✓ Safety
- ✓ Performance
- ✓ Comfort
- ✓ With accessories

### Technical specifications

EAN code	Axle	Thickness
8020584125243	Rear	17 mm
Width	Height	Braking system
113 mm	52 mm	CBI
Wear indicator	WVA number	Accessories
Without	20625	With accessories With anti-squeal shim With brake caliper bolts



## COMPATIBLE OE PART NUMBERS

1673597480 CITROËN

---

1673597480 PEUGEOT

---

SU001B2799 TOYOTA

---