



BRAKE PAD PRIME CERAMIC P06097N

The P06097N NAO brake pad is
synonymous with reliability

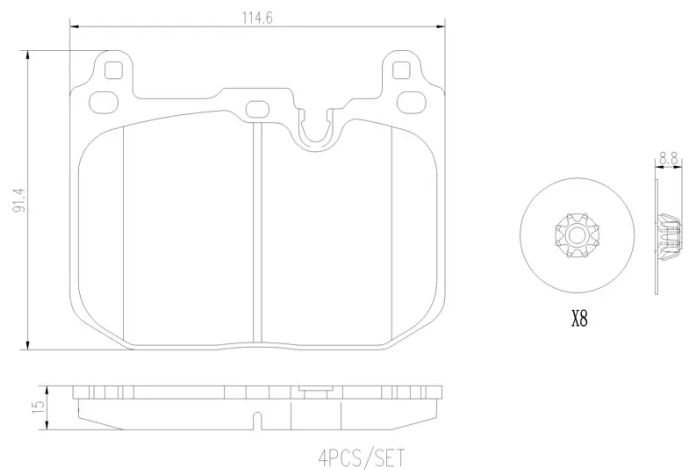
Brembo NAO brake pads stand out for their ultimate braking comfort, reduced friction wear and low dust mission, which makes for cleaner rims and reduced maintenance requirements. The advanced friction material in keeping with the strictest environmental standards is the main distinguishing feature of NAO compounds.

- ✓ OE-equivalent
- ✓ Brembo quality
- ✓ Safety
- ✓ Comfort
- ✓ Durability
- ✓ Dust reduction
- ✓ With accessories



Technical specifications

EAN code 8020584087633	Axle Front	Thickness 14 mm
Width 115 mm	Height 91 mm	Braking system Brembo
Wear indicator Prepared for wear indicator	WVA number 22344	Accessories With accessories With anti-squeal shim



COMPATIBLE VEHICLES

COMPATIBLE OE PART NUMBERS

34106860020 MINI

34106884224 MINI

6860020 MINI

6884224 MINI

6889266 MINI
