



BRAKE DISC PAINTED

08.8682.21

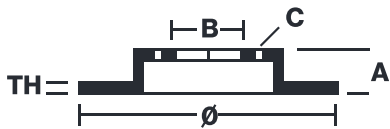
The **08.8682.21** painted brake disc is synonymous with reliability

The Brembo brake disc with special UV paint treatment guarantees superior corrosion resistance for the product, thanks to the protective coating on the outer edges and on the disc hub. The UV paint not only gives the disc a clean, shiny appearance but is also beneficial for the environment as the water-based UV paint treatment does not require the use of chemical solvents and is a low energy consumption process.

- ✓ OE-equivalent
- ✓ Brembo quality
- ✓ ECE-R90 certificate
- ✓ Safety
- ✓ Anti-corrosion
- ✓ Fastening screws



Technical specifications



EAN code
8020584035979

Axle
Front and rear

Thickness (TH)
12 mm

Height (A)
35 mm

Brake disc type
Solid

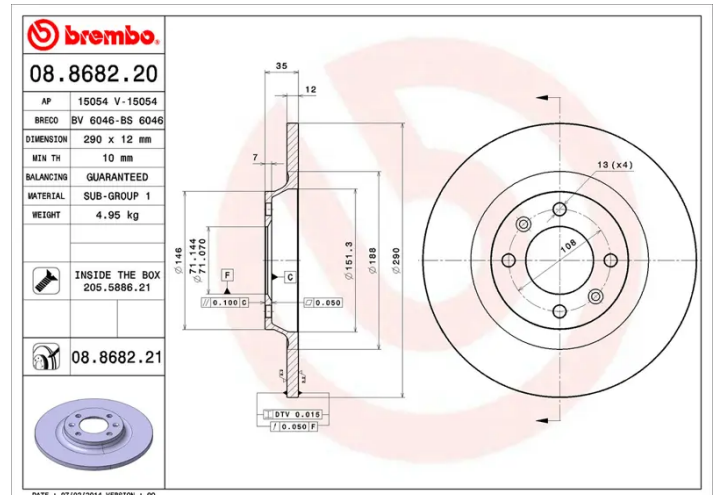
Centering (B)
71 mm

Diameter Ø
290 mm

Number of holes (C)
4

Min. thickness
10 mm

Tightening torque
90 Nm



COMPATIBLE VEHICLES

COMPATIBLE OE PART NUMBERS

1611841580	CITROËN
1618864880	CITROËN
4249F7	CITROËN
YL00111080	CITROËN (DF-PSA)
1611841580	DS
1618864880	DS
4249F7	DS
1612905680	DS (CAPSA)
4249F7	DS (CAPSA)
1611841580	PEUGEOT
1618864880	PEUGEOT
4249F7	PEUGEOT
YL00111080	PEUGEOT (DF-PSA)