



BRAKE DISC PAINTED

08.B566.11

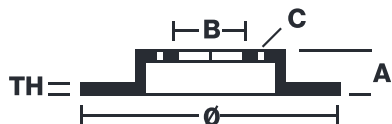
The 08.B566.11 painted brake disc is synonymous with reliability

The Brembo brake disc with special UV paint treatment guarantees superior corrosion resistance for the product, thanks to the protective coating on the outer edges and on the disc hub. The UV paint not only gives the disc a clean, shiny appearance but is also beneficial for the environment as the water-based UV paint treatment does not require the use of chemical solvents and is a low energy consumption process.

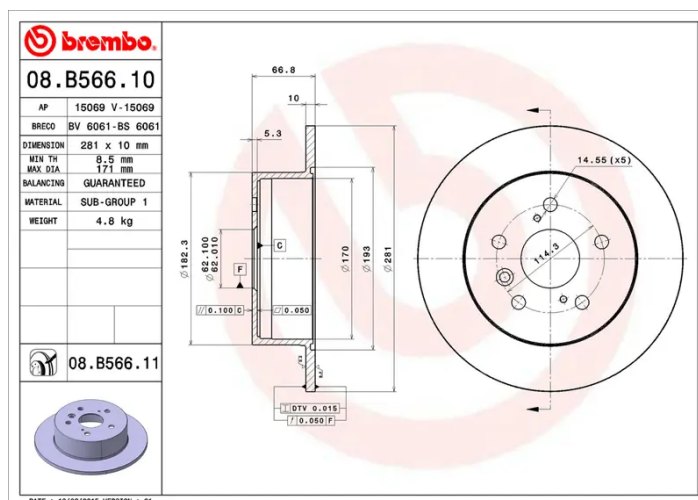
- ✓ OE-equivalent
- ✓ Brembo quality
- ✓ ECE-R90 certificate
- ✓ Safety
- ✓ Anti-corrosion



Technical specifications



EAN code	Axle	Diameter Ø
8020584032381	Rear	281 mm
Thickness (TH)	Height (A)	Number of holes (C)
10 mm	67 mm	5
Brake disc type	Centering (B)	Min. thickness
Solid	62 mm	8,5 mm



COMPATIBLE VEHICLES

COMPATIBLE OE PART NUMBERS

4243106140	LEXUS
4243133130	LEXUS
4243106110	TOYOTA
4243106140	TOYOTA
4243106160	TOYOTA
4243106170	TOYOTA
4243133130	TOYOTA
4243106170	TOYOTA (GAC)