



BRAKE DISC

09.4869.44

The **09.4869.44** brake disc is synonymous with reliability

The Brembo brake disc is fully interchangeable with an Original Equipment brake disc. The control of the entire production cycle allows Brembo to offer brake discs with outstanding performance levels, reliability, durability and comfort in all conditions of use. All Brembo brake discs are accompanied by the ECE-R90 homologation.

- ✓ OE-equivalent
- ✓ Brembo quality
- ✓ ECE-R90 certificate
- ✓ Safety
- ✓ Fastening screws



Technical specifications



EAN code
8020584013052

Axle
Front

Diameter \varnothing
284 mm

Thickness (TH)
22 mm

Height (A)
44 mm

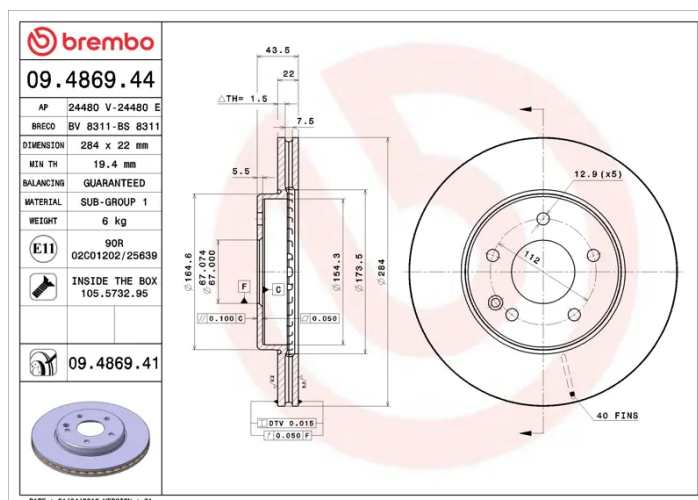
Number of holes (C)
5

Brake disc type
Ventilated

Centering (B)
67 mm

Min. thickness
19,4 mm

Tightening torque
110 Nm



COMPATIBLE OE PART NUMBERS

2024210712	MERCEDES-BENZ
------------	---------------

2024210912	MERCEDES-BENZ
------------	---------------

A2024210712	MERCEDES-BENZ
-------------	---------------

A2024210912	MERCEDES-BENZ
-------------	---------------
