



BRAKE DISC

09.6841.14

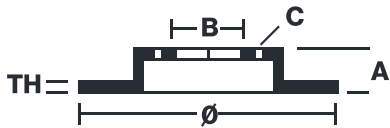
The **09.6841.14** brake disc is synonymous with reliability

The Brembo brake disc is fully interchangeable with an Original Equipment brake disc. The control of the entire production cycle allows Brembo to offer brake discs with outstanding performance levels, reliability, durability and comfort in all conditions of use. All Brembo brake discs are accompanied by the ECE-R90 homologation.

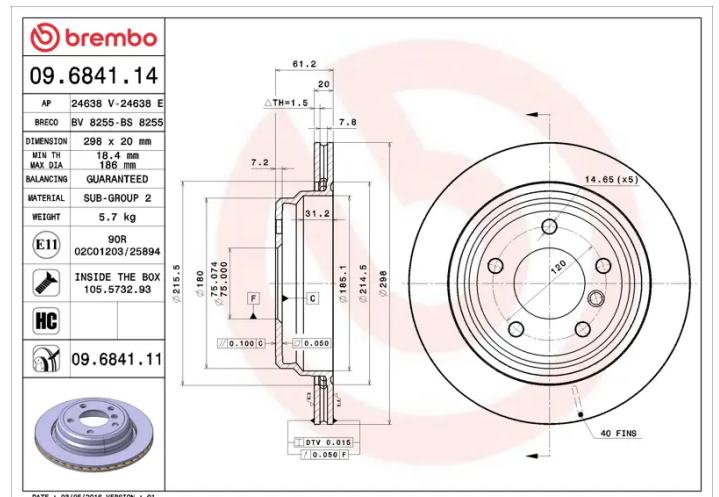
- ✓ OE-equivalent
- ✓ Brembo quality
- ✓ ECE-R90 certificate
- ✓ Safety
- ✓ High carbon
- ✓ Fastening screws



Technical specifications



EAN code 8020584013069	Axle Rear	Diameter Ø 298 mm
Thickness (TH) 20 mm	Height (A) 61 mm	Number of holes (C) 5
Brake disc type Ventilated	Centering (B) 75 mm	Min. thickness 18,4 mm
Tightening torque 120 Nm		



COMPATIBLE VEHICLES

COMPATIBLE OE PART NUMBERS

34216767060	ALPINA
-------------	--------

34211163153	BMW
-------------	-----

34211163175	BMW
-------------	-----

34211163840	BMW
-------------	-----

34211164175	BMW
-------------	-----

34211164840	BMW
-------------	-----

34216767060	BMW
-------------	-----