



BRAKE DISC

09.7291.20

The 09.7291.20 brake disc is synonymous with reliability

The Brembo brake disc is fully interchangeable with an Original Equipment brake disc. The control of the entire production cycle allows Brembo to offer brake discs with outstanding performance levels, reliability, durability and comfort in all conditions of use. All Brembo brake discs are accompanied by the ECE-R90 homologation.

- ✓ OE-equivalent
- ✓ Brembo quality
- ✓ ECE-R90 certificate
- ✓ Safety
- ✓ Fastening screws



Technical specifications



EAN code
8020584729120

Axle
Front

Diameter Ø
262 mm

Thickness (TH)
22 mm

Height (A)
45 mm

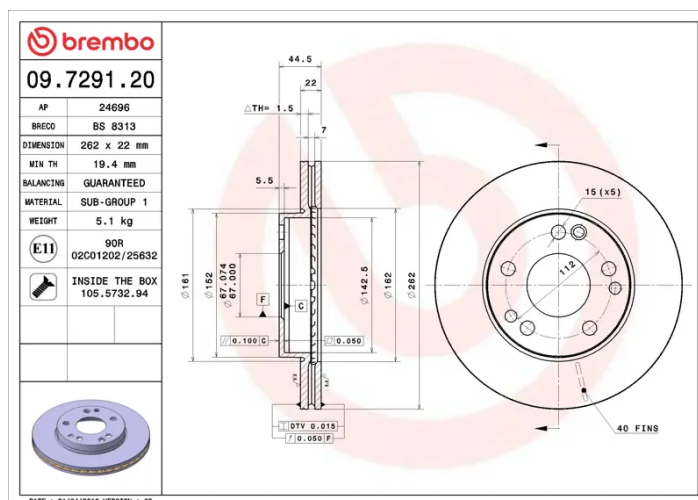
Number of holes (C)
5

Brake disc type
Ventilated

Centering (B)
67 mm

Min. thickness
19,4 mm

Tightening torque
120 Nm



COMPATIBLE VEHICLES

COMPATIBLE OE PART NUMBERS

2014211312	MERCEDES-BENZ
------------	---------------

2014211512	MERCEDES-BENZ
------------	---------------

A2014211312	MERCEDES-BENZ
-------------	---------------

A2014211512	MERCEDES-BENZ
-------------	---------------
