



# BRAKE DISC PAINTED

## 09.9589.11

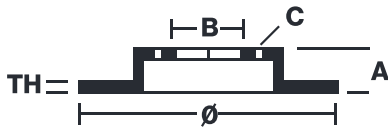
The 09.9589.11 painted brake disc is synonymous with reliability

The Brembo brake disc with special UV paint treatment guarantees superior corrosion resistance for the product, thanks to the protective coating on the outer edges and on the disc hub. The UV paint not only gives the disc a clean, shiny appearance but is also beneficial for the environment as the water-based UV paint treatment does not require the use of chemical solvents and is a low energy consumption process.

- ✓ OE-equivalent
- ✓ Brembo quality
- ✓ ECE-R90 certificate
- ✓ Safety
- ✓ Anti-corrosion

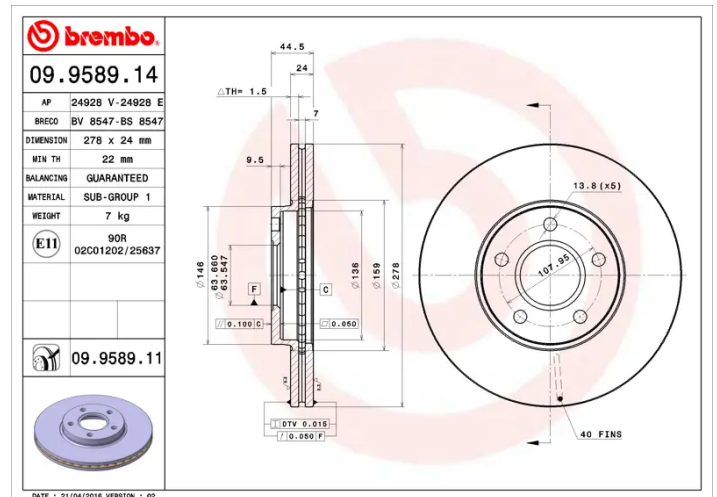


### Technical specifications



EAN code	Axle	Diameter Ø
<b>8020584225080</b>	<b>Front</b>	<b>278 mm</b>
Thickness (TH)	Height (A)	Number of holes (C)
<b>24 mm</b>	<b>45 mm</b>	<b>5</b>
Brake disc type	Centering (B)	Min. thickness
<b>Ventilated</b>	<b>64 mm</b>	<b>22 mm</b>

Tightening torque  
**100 Nm**



**COMPATIBLE VEHICLES**

## COMPATIBLE OE PART NUMBERS

1361298	FORD
---------	------

1361300	FORD
---------	------

2T141125CA	FORD
------------	------

2T141125CB	FORD
------------	------

2T141125CC	FORD
------------	------

2T141125EA	FORD
------------	------

2T141125EB	FORD
------------	------

2T141125EC	FORD
------------	------

2T1Z1125A	FORD
-----------	------

4367104	FORD
---------	------

4367105	FORD
---------	------

4367106	FORD
---------	------

4455980	FORD
---------	------

4457985	FORD
---------	------