



# BRAKE DISC

## 09.B632.10

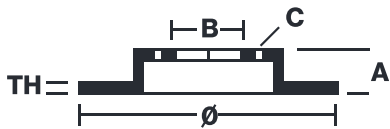
The **09.B632.10** brake disc is synonymous with reliability

The Brembo brake disc is fully interchangeable with an Original Equipment brake disc. The control of the entire production cycle allows Brembo to offer brake discs with outstanding performance levels, reliability, durability and comfort in all conditions of use. All Brembo brake discs are accompanied by the ECE-R90 homologation.

- ✓ OE-equivalent
- ✓ Brembo quality
- ✓ ECE-R90 certificate
- ✓ Safety



### Technical specifications



EAN code  
**8020584023914**

Axle  
**Front**

Diameter Ø  
**280** mm

Thickness (TH)  
**24** mm

Height (A)  
**44** mm

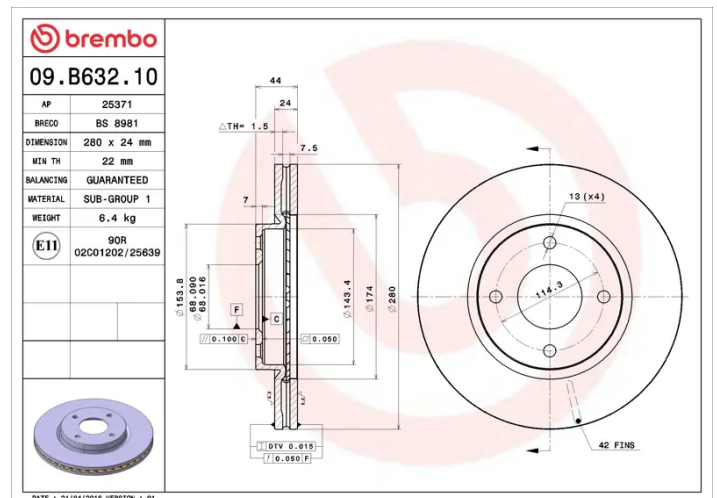
Number of holes (C)  
**4**

Brake disc type  
**Ventilated**

Centering (B)  
**68** mm

Min. thickness  
**22** mm

Tightening torque  
**110** Nm



COMPATIBLE VEHICLES

## COMPATIBLE OE PART NUMBERS

40206EM10A	NISSAN
------------	--------

40206EM10B	NISSAN
------------	--------

40206ET00A	NISSAN
------------	--------

40206ET00C	NISSAN
------------	--------

40206ET01C	NISSAN
------------	--------

40206ET02C	NISSAN
------------	--------

40206ZW90A	NISSAN
------------	--------

D0206EM10B	NISSAN
------------	--------

40206EW81B	NISSAN (DFAC)
------------	---------------

40206EW81C	NISSAN (DFAC)
------------	---------------