



BRAKE DISC XTRA

09.C133.1X

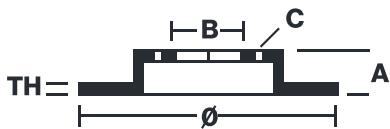
The 09.C133.1X Xtra brake disc is synonymous with reliability

The Brembo Xtra brake disc features holes on the braking surface. The holes are designed to improve the cooling of the braking system, to generate greater fading resistance and grip in the initial stages of braking. The sports look is also enhanced by the presence of the UV paint.

- ✓ Brembo quality
- ✓ ECE-R90 certificate
- ✓ Performance
- ✓ Sports driving
- ✓ Sporty look
- ✓ High carbon
- ✓ Anti-corrosion
- ✓ Fastening screws



Technical specifications



EAN code
8020584320136

Axle
Front

Diameter Ø
303,5 mm

Thickness (TH)
28 mm

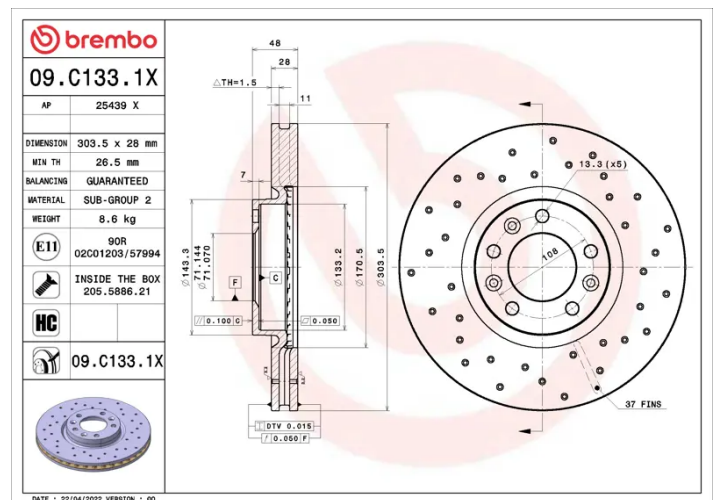
Height (A)
48 mm

Number of holes (C)
5

Brake disc type
Ventilated

Centering (B)
71 mm

Min. thickness
26,5 mm



COMPATIBLE VEHICLES

COMPATIBLE OE PART NUMBERS

1642760480	CITROËN
424993	CITROËN
4249K1	CITROËN
4249A3	CITROËN (DF-PSA)
9686324780	CITROËN (DF-PSA)
1642760480	DS
1687772080	DS
4249K1	DS
500054547	IVECO
500054548	IVECO
3641958	OPEL
4249K1	OPEL
1642760480	PEUGEOT
1687772080	PEUGEOT
424993	PEUGEOT
4249K1	PEUGEOT
9686324780	PEUGEOT (DF-PSA)
SU001A9002	TOYOTA
3641958	VAUXHALL
4249K1	VAUXHALL