



BRAKE DISC COMPOSITE

09.C420.13

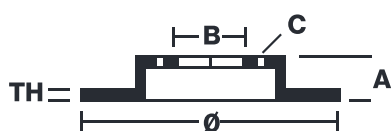
Composite brake disc 09.C420.13 belongs to Brembo Premium Line

The Composite brake disc is dedicated to the highest-performance BMW applications and is perfectly interchangeable with the original disc. It has an aluminium hat connected to the special cast iron braking surface by steel pins. This solution makes the disc lighter for improved handling of the car.

- ✓ OE-equivalent
- ✓ Brembo quality
- ✓ ECE-R90 certificate
- ✓ Weight reduction
- ✓ High carbon
- ✓ Bi-Material Brake Disc
- ✓ Anti-corrosion
- ✓ Fastening screws
- ✓ Fading resistance



Technical specifications



EAN code
8020584226391

Axle
Front

Diameter Ø
338 mm

Thickness (TH)
26 mm

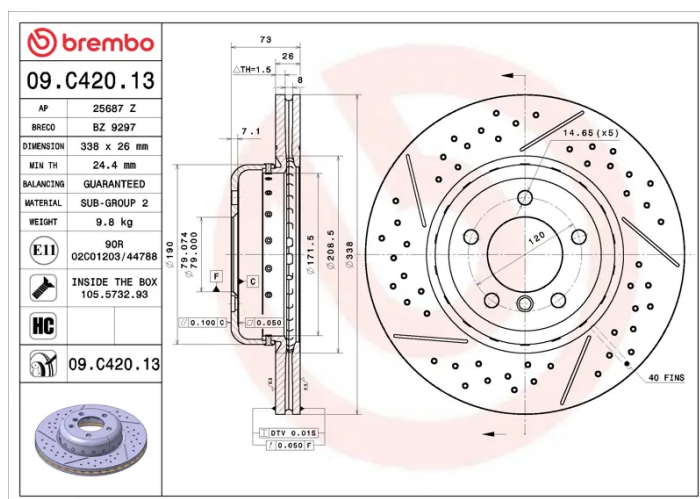
Height (A)
73 mm

Number of holes (C)
5

Brake disc type
Ventilated

Centering (B)
79 mm

Min. thickness
24,4 mm



COMPATIBLE OE PART NUMBERS

34116786392

BMW
