



BEYOND EV KIT

KT 08 008

EV Kit KT 08 008 comprises brake discs and pads designed for electric cars

The use of regenerative braking, in electric vehicles, entails a more discontinuous use of the friction brake compared to a car with a combustion engine. For this reason, special attention is required to avoid the corrosion of brake discs and brake pads. The Brembo EV brake kit, comprising brake discs and brake pads dedicated specifically to electric cars, avoids early corrosion of the braking system, keeping it effective and safe for longer.



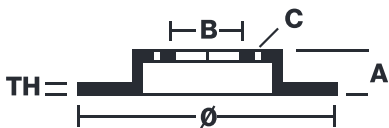
- ✓ Brembo quality
- ✓ ECE-R90 certificate
- ✓ Comfort
- ✓ Durability
- ✓ Dust reduction
- ✓ Quick assembly
- ✓ Anti-corrosion
- ✓ Kit

Kit information

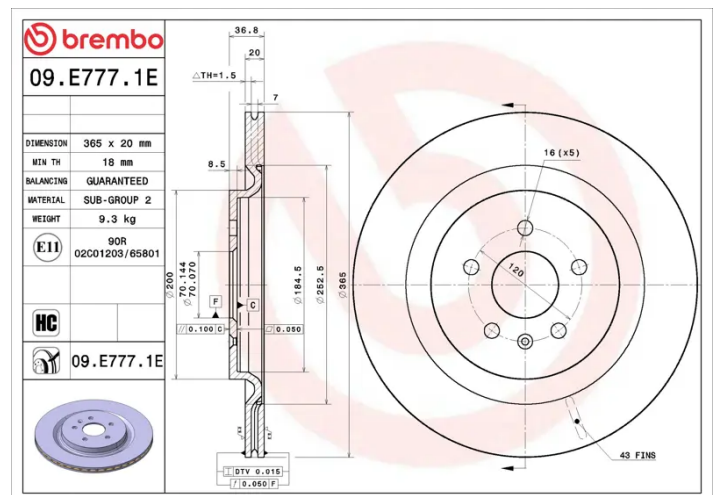
EAN code Brake discs per box Brake pads per box
8432509503126 2 4

Axle
Rear

Brake disc technical specifications



Diameter	Thickness (TH)	Height (A)
365 mm	20 mm	36,8 mm
Number of holes (C)	Brake disc type	Centering (B)
5	Solid	70 mm
Min. thickness		



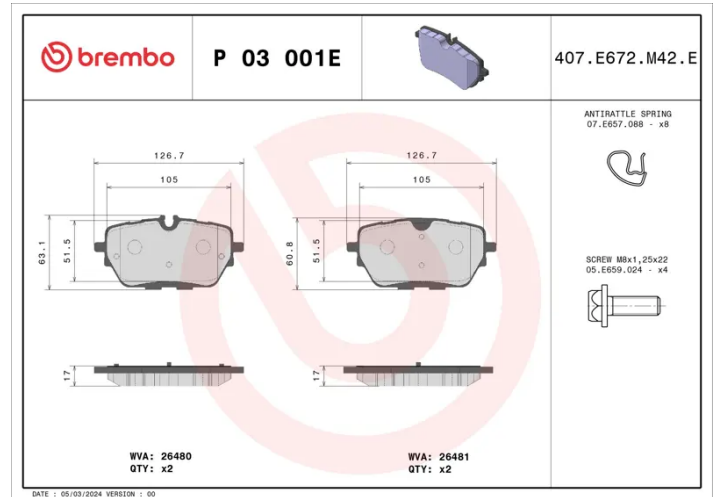
18 mm

Brake pad technical specifications

Thickness	Width	Height
20 mm	127 mm	63 mm

Wear indicator
Prepared for wear indicator

Accessories
With anti-squeal shim



COMPATIBLE OE PART NUMBERS

P0002184AA	NIO
P0002184AB	NIO
P0002184AC	NIO
P0072638AC	NIO
P0072638AD	NIO
P0202530AA	NIO