



DRUM

14.7127.20

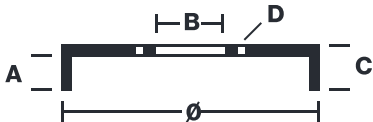
The 14.7127.20 drum is synonymous with reliability

Brembo has developed several design solutions for drum brakes which combine multiple materials to reduce the overall weight. The most popular range of lamellar graphite cast iron drums is supplemented by cast iron drums with a steel sprocket flange and aluminium drums, whereby only the inner part of the drum on which the shoes operate are made of lamellar cast iron, namely the brake band. Additionally drums with built-in bearing kit and hub are added to this range.

- ✓ OE-equivalent
- ✓ Brembo quality
- ✓ Safety
- ✓ Durability



Technical specifications



EAN code
8020584712726

Axle
Rear

Diameter
228 mm

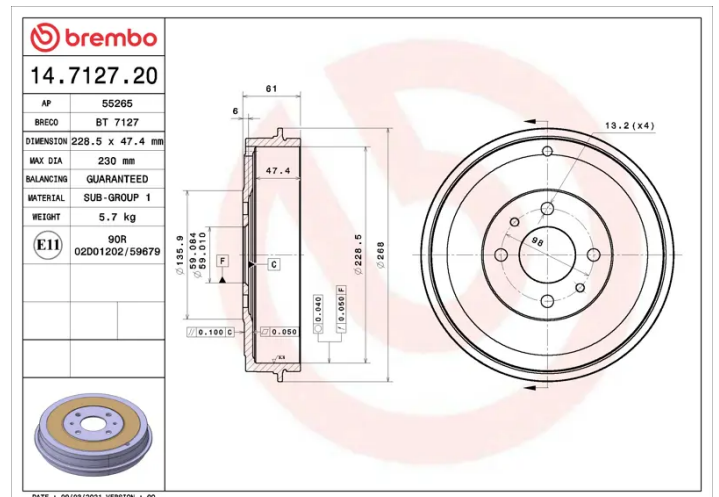
Width
48 mm

Height
61

Number of holes
4

Centering
59 mm

Max diameter
230 mm



COMPATIBLE VEHICLES

COMPATIBLE OE PART NUMBERS

60810025 ALFA ROMEO

7569600 ALFA ROMEO

424755 CITROËN

424758 CITROËN

51816526 FIAT

51903659 FIAT

52015299 FIAT

60810025 FIAT

60814839 FIAT

7569600 FIAT

7769850 FIAT

7769850 LANCIA

424755 PEUGEOT

424758 PEUGEOT
