



# DRUM

## 14.A697.10

**The 14.A697.10 drum is synonymous with reliability**

Brembo has developed several design solutions for drum brakes which combine multiple materials to reduce the overall weight. The most popular range of lamellar graphite cast iron drums is supplemented by cast iron drums with a steel sprocket flange and aluminium drums, whereby only the inner part of the drum on which the shoes operate are made of lamellar cast iron, namely the brake band. Additionally drums with built-in bearing kit and hub are added to this range.



- ✓ OE-equivalent
- ✓ Brembo quality
- ✓ Safety
- ✓ Durability

## Technical specifications

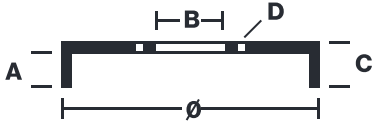


DAEWOO P.N.:96234212/96234203

14.A697.10

CUSTOMER P.N.:.....

Date 23.06.08



EAN code  
8020584017692

Axle  
Rear

Diameter  
230 mm

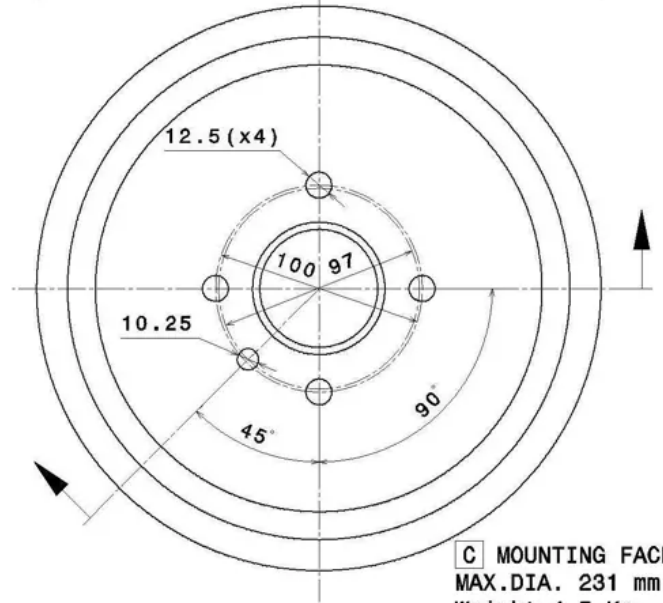
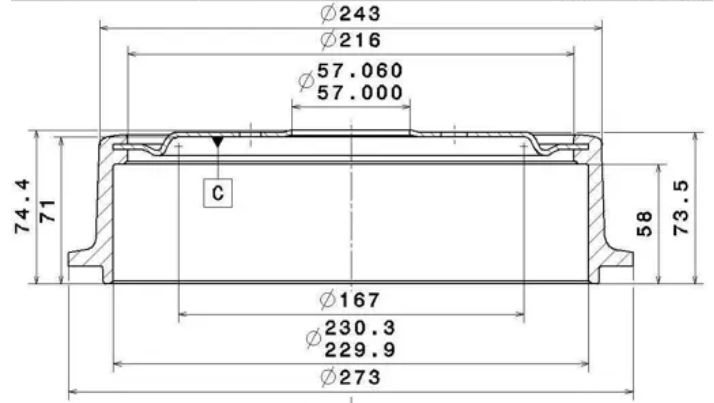
Width  
58 mm

Height  
74,4

Number of holes  
4

Centering  
57 mm

Max diameter  
231 mm



C MOUNTING FACE  
MAX.DIA. 231 mm  
Weight 4.5 Kg

COMPATIBLE VEHICLES

## COMPATIBLE OE PART NUMBERS

96234203 DAEWOO

96234212 DAEWOO