



BRAKE PAD PRIME CERAMIC P06111N

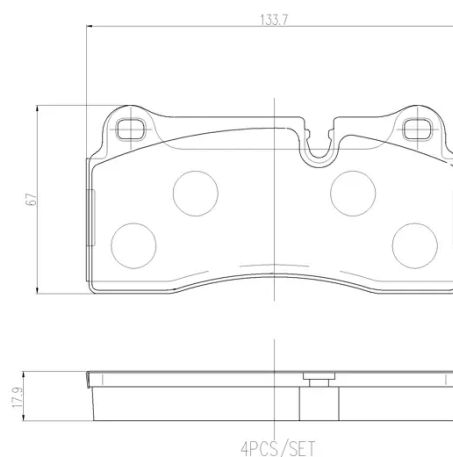
The P06111N NAO brake pad is
synonymous with reliability

Brembo NAO brake pads stand out for their ultimate braking comfort, reduced friction wear and low dust mission, which makes for cleaner rims and reduced maintenance requirements. The advanced friction material in keeping with the strictest environmental standards is the main distinguishing feature of NAO compounds.

- ✓ OE-equivalent
- ✓ Brembo quality
- ✓ Safety
- ✓ Comfort
- ✓ Durability
- ✓ Dust reduction
- ✓ With accessories

Technical specifications

EAN code	Axle	Thickness
8020584118887	Rear	18 mm
Width	Height	Braking system
134 mm	67 mm	Brembo
Wear indicator	WVA number	Accessories
Prepared for wear indicator	25814	With anti-squeal shim



COMPATIBLE OE PART NUMBERS

34218091600	BMW
3421950290301	BMW
3428091600	BMW
342950290301	BMW