



# BRAKE PAD XTRA CERAMIC P07007NX

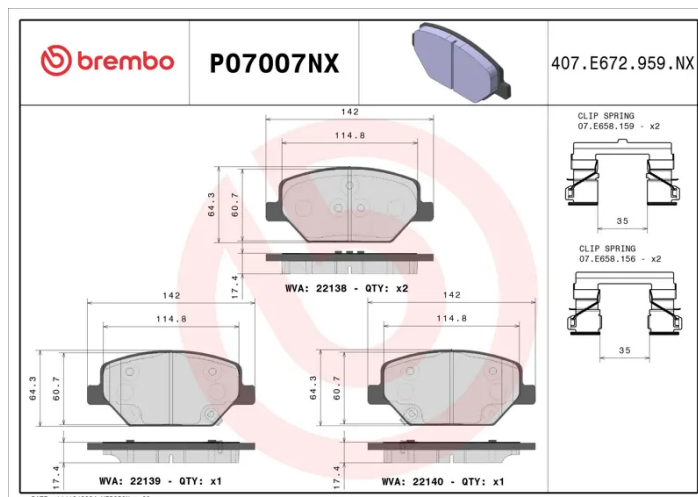
**Xtra Ceramic brake pad P07007NX belongs to Brembo Cool Line**

Brembo Xtra Ceramic brake pads have a specific compound which, beside being copper free, also contains less metal compared to Xtra pads. This feature make Xtra Ceramic more focused on comfort and cleaner rims, thanks to the ceramic friction material, while guaranteeing the top performance proper of the Xtra line. Xtra Ceramic range is fully ECE R90 homologated.

- ✓ Brembo quality
- ✓ ECE-R90 certificate
- ✓ Safety
- ✓ Performance
- ✓ Dust reduction
- ✓ Comfort

## Technical specifications

EAN code <b>8020584130933</b>	Axle <b>Front</b>	Thickness <b>19 mm</b>
Width <b>142 mm</b>	Height <b>65 mm</b>	Braking system <b>Teves</b>
Wear indicator <b>Acoustic</b>	WVA number <b>22138,22139,22140</b>	Accessories <b>With anti-squeal shim</b>



COMPATIBLE VEHICLES

## COMPATIBLE OE PART NUMBERS

23001397	BUICK
23145358	BUICK (SGM)
23301397	BUICK (SGM)
23303281	BUICK (SGM)
84259368	BUICK (SGM)
84378582	CADILLAC
84120877	OPEL