



BRAKE PAD PRIME CERAMIC P10045N

The P10045N NAO brake pad is synonymous with reliability

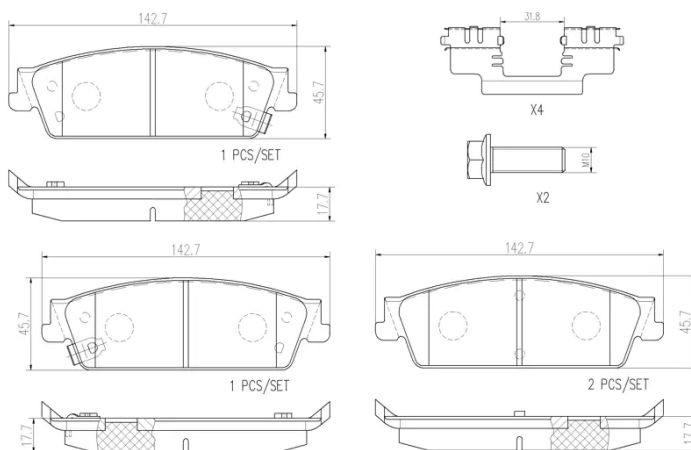
Brembo NAO brake pads stand out for their ultimate braking comfort, reduced friction wear and low dust mission, which makes for cleaner rims and reduced maintenance requirements. The advanced friction material in keeping with the strictest environmental standards is the main distinguishing feature of NAO compounds.

- ✓ OE-equivalent
- ✓ Brembo quality
- ✓ Safety
- ✓ Comfort
- ✓ Durability
- ✓ Dust reduction
- ✓ With accessories



Technical specifications

EAN code 8020584096369	Axle Rear	Thickness 18 mm
Width 143 mm	Height 46 mm	Braking system Akebono
Wear indicator Acoustic	Accessories With accessories With anti-squeal shim With brake caliper bolts	



COMPATIBLE VEHICLES

COMPATIBLE OE PART NUMBERS

15792633	CADILLAC
----------	----------

15945636	CADILLAC
----------	----------

19329677	CADILLAC
----------	----------

25949454	CADILLAC
----------	----------

15792633	CHEVROLET
----------	-----------

15945636	CHEVROLET
----------	-----------

19159252	CHEVROLET
----------	-----------

19329677	CHEVROLET
----------	-----------

23112025	CHEVROLET
----------	-----------

25949454	CHEVROLET
----------	-----------

15792633	GMC
----------	-----

15945636	GMC
----------	-----

19329677	GMC
----------	-----

25949454	GMC
----------	-----