



BRAKE PAD PRIME CERAMIC P28029N

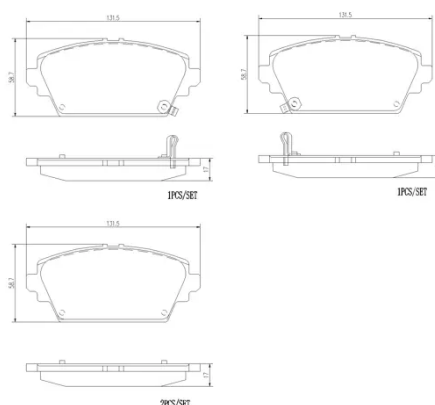
The P28029N NAO brake pad is synonymous with reliability

Brembo NAO brake pads stand out for their ultimate braking comfort, reduced friction wear and low dust mission, which makes for cleaner rims and reduced maintenance requirements. The advanced friction material in keeping with the strictest environmental standards is the main distinguishing feature of NAO compounds.

- ✓ OE-equivalent
- ✓ Brembo quality
- ✓ Safety
- ✓ Comfort
- ✓ Durability
- ✓ Dust reduction
- ✓ With accessories

Technical specifications

EAN code 8020584113608	Axle Front	Thickness 17 mm
Width 132 mm	Height 59 mm	Braking system Lucas
Wear indicator Acoustic	WVA number 23094,23563,23564	Accessories With anti-squeal shim



COMPATIBLE VEHICLES

COMPATIBLE OE PART NUMBERS

45022S1AE00 HONDA

45022S1AE01 HONDA

45022S1AE02 HONDA

45022S1AE50 HONDA

45022S1AE51 HONDA

GBP90346 MG

SFP000070 MG

SFP000370 MG

410604U127 NISSAN

41060AV110 NISSAN
