

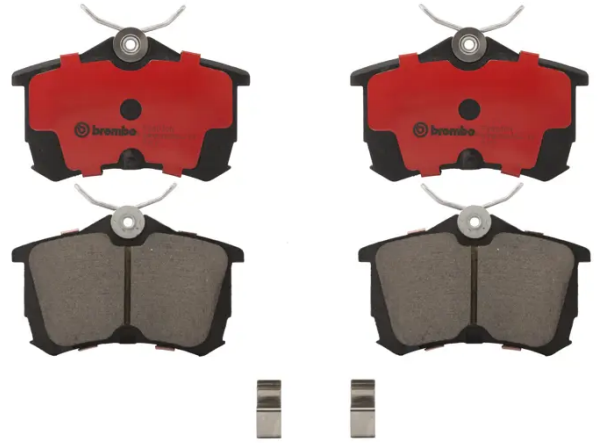


BRAKE PAD PRIME CERAMIC P28030N

The P28030N NAO brake pad is synonymous with reliability

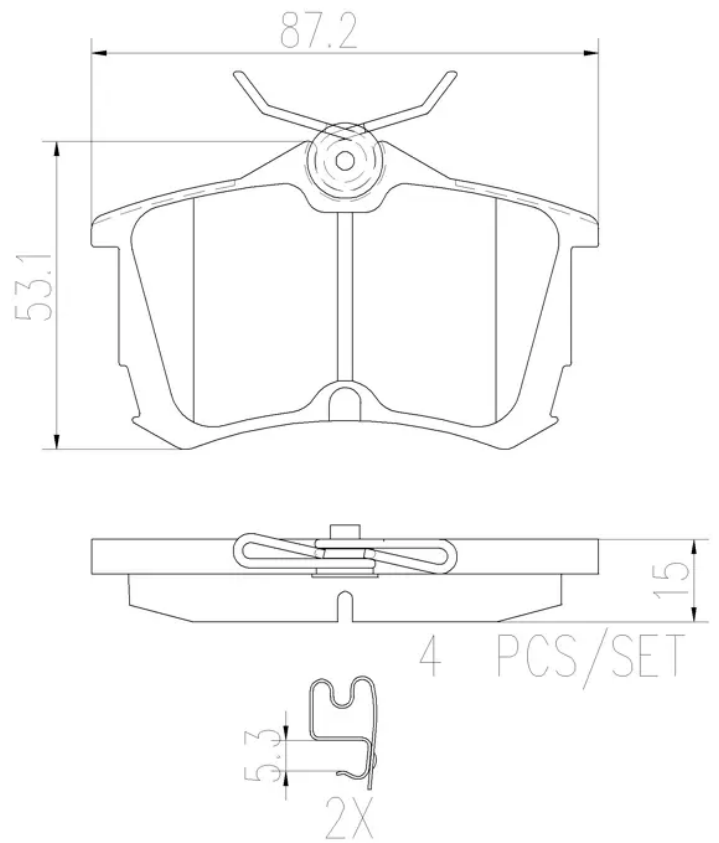
Brembo NAO brake pads stand out for their ultimate braking comfort, reduced friction wear and low dust mission, which makes for cleaner rims and reduced maintenance requirements. The advanced friction material in keeping with the strictest environmental standards is the main distinguishing feature of NAO compounds.

- ✓ OE-equivalent
- ✓ Brembo quality
- ✓ Safety
- ✓ Comfort
- ✓ Durability
- ✓ Dust reduction
- ✓ With accessories



Technical specifications

EAN code 8020584086674	Axle Rear	Thickness 15 mm
Width 87 mm	Height 53 mm	Braking system Lucas
Wear indicator Acoustic	WVA number 23527	Accessories With anti-squeal shim



COMPATIBLE VEHICLES

COMPATIBLE OE PART NUMBERS

43022S1AE02	HONDA
43022S1AE03	HONDA
43022S1AE30	HONDA
43022S1AE50	HONDA
43022SEAE01	HONDA
43022SEAE10	HONDA