



BRAKE PAD PRIME CERAMIC P28106N

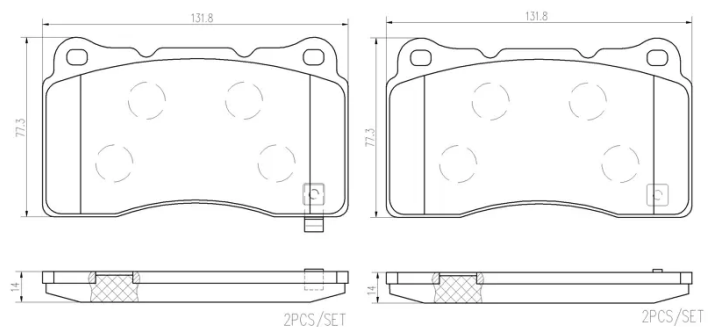
The P28106N NAO brake pad is
synonymous with reliability

Brembo NAO brake pads stand out for their ultimate braking comfort, reduced friction wear and low dust mission, which makes for cleaner rims and reduced maintenance requirements. The advanced friction material in keeping with the strictest environmental standards is the main distinguishing feature of NAO compounds.

- ✓ OE-equivalent
- ✓ Brembo quality
- ✓ Safety
- ✓ Comfort
- ✓ Durability
- ✓ Dust reduction
- ✓ With accessories

Technical specifications

| | | |
|-----------------------------------|---|---------------------------|
| EAN code 8020584116340 | Axle Front | Thickness 15 mm |
| Width 132 mm | Height 77 mm | |
| Wear indicator Acoustic | Accessories With anti-squeal shim | |



COMPATIBLE VEHICLES

COMPATIBLE OE PART NUMBERS

| | |
|----------|----------------|
| 85138463 | CADILLAC (SGM) |
|----------|----------------|

| | |
|-------------|-------|
| 45022TGHA01 | HONDA |
|-------------|-------|

| | |
|-------------|-------|
| 45022TGHA02 | HONDA |
|-------------|-------|

| | |
|----------|----------------------|
| 4605B923 | MITSUBISHI (SOUEAST) |
|----------|----------------------|

| | |
|------------|--------|
| 26296VA040 | SUBARU |
|------------|--------|

| | |
|------------|--------|
| SU00307217 | TOYOTA |
|------------|--------|