



BRAKE PAD PRIME CERAMIC P50099N

The P50099N NAO brake pad is synonymous with reliability

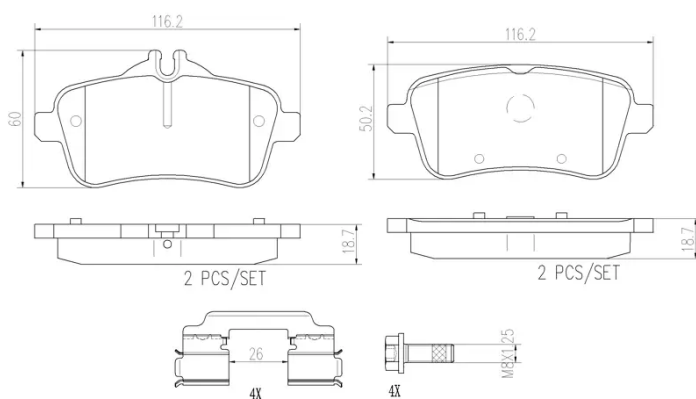
Brembo NAO brake pads stand out for their ultimate braking comfort, reduced friction wear and low dust mission, which makes for cleaner rims and reduced maintenance requirements. The advanced friction material in keeping with the strictest environmental standards is the main distinguishing feature of NAO compounds.

- ✓ OE-equivalent
- ✓ Brembo quality
- ✓ Safety
- ✓ Comfort
- ✓ Durability
- ✓ Dust reduction
- ✓ With accessories



Technical specifications

EAN code 8020584080511	Axle Rear	Thickness 19 mm
Width 116 mm	Height 50 mm	Braking system TRW
Wear indicator Prepared for wear indicator	WVA number 25215,25216	Accessories With accessories With anti-squeal shim With brake caliper bolts



COMPATIBLE VEHICLES

COMPATIBLE OE PART NUMBERS

0004201705 MERCEDES-BENZ

0004206704 MERCEDES-BENZ

0064203320 MERCEDES-BENZ

0064203420 MERCEDES-BENZ

0064206820 MERCEDES-BENZ

0074207720 MERCEDES-BENZ

0074207820 MERCEDES-BENZ

0074209020 MERCEDES-BENZ

A0004201705 MERCEDES-BENZ

A0004206704 MERCEDES-BENZ

A004201705 MERCEDES-BENZ

A0064203320 MERCEDES-BENZ

A0064203420 MERCEDES-BENZ

A0064206820 MERCEDES-BENZ

A0074207720 MERCEDES-BENZ

A0074207820 MERCEDES-BENZ

A0074209020 MERCEDES-BENZ
