



# BRAKE PAD PRIME CERAMIC P50157N

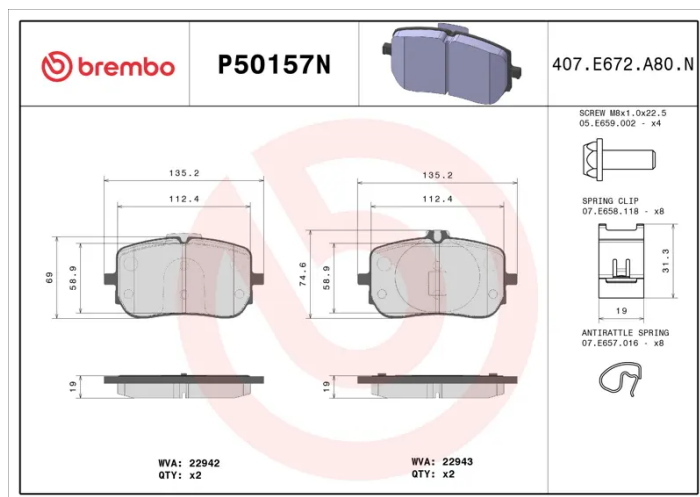
The P50157N NAO brake pad is  
synonymous with reliability

Brembo NAO brake pads stand out for their ultimate braking comfort, reduced friction wear and low dust mission, which makes for cleaner rims and reduced maintenance requirements. The advanced friction material in keeping with the strictest environmental standards is the main distinguishing feature of NAO compounds.

- ✓ OE-equivalent
- ✓ Brembo quality
- ✓ Safety
- ✓ Comfort
- ✓ Durability
- ✓ Dust reduction
- ✓ With accessories

## Technical specifications

EAN code <b>8020584119518</b>	Axle <b>Front</b>	Thickness <b>20 mm</b>
Width <b>135 mm</b>	Height <b>69 mm</b>	Braking system <b>CBI</b>
Wear indicator <b>Acoustic</b>	WVA number <b>22942,22943</b>	Accessories <b>With accessories With brake caliper bolts With anti-squeal shim</b>



COMPATIBLE VEHICLES

## COMPATIBLE OE PART NUMBERS

0004205303	MERCEDES-BENZ
0004205503	MERCEDES-BENZ
0004207100	MERCEDES-BENZ
0004207300	MERCEDES-BENZ
A0004205303	MERCEDES-BENZ
A0004207100	MERCEDES-BENZ
A0004207300	MERCEDES-BENZ
0004205303	MERCEDES-BENZ (BBDC)
A0004205303	MERCEDES-BENZ (BBDC)