



# BRAKE PAD PRIME CERAMIC P50167N

The P50167N NAO brake pad is synonymous with reliability

Brembo NAO brake pads stand out for their ultimate braking comfort, reduced friction wear and low dust mission, which makes for cleaner rims and reduced maintenance requirements. The advanced friction material in keeping with the strictest environmental standards is the main distinguishing feature of NAO compounds.

- ✓ OE-equivalent
- ✓ Brembo quality
- ✓ Safety
- ✓ Comfort
- ✓ Durability
- ✓ Dust reduction
- ✓ With accessories

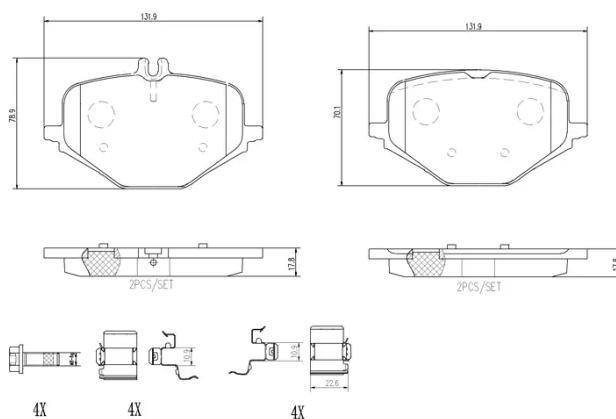
## Technical specifications

EAN code 8020584119617 Axle Rear Thickness 18 mm

Width 132 mm Height 70 mm

Wear indicator Prepared for wear indicator WVA number 22717,22718

Accessories  
With accessories  
With anti-squeal shim  
With brake caliper bolts



COMPATIBLE VEHICLES

## COMPATIBLE OE PART NUMBERS

0004201506	MERCEDES-BENZ
------------	---------------

---

0004203705	MERCEDES-BENZ
------------	---------------

---

0004205202	MERCEDES-BENZ
------------	---------------

---

A0004201506	MERCEDES-BENZ
-------------	---------------

---

A0004203705	MERCEDES-BENZ
-------------	---------------

---

A0004205202	MERCEDES-BENZ
-------------	---------------

---