



BRAKE PAD PRIME CERAMIC P56080N

The P56080N NAO brake pad is synonymous with reliability

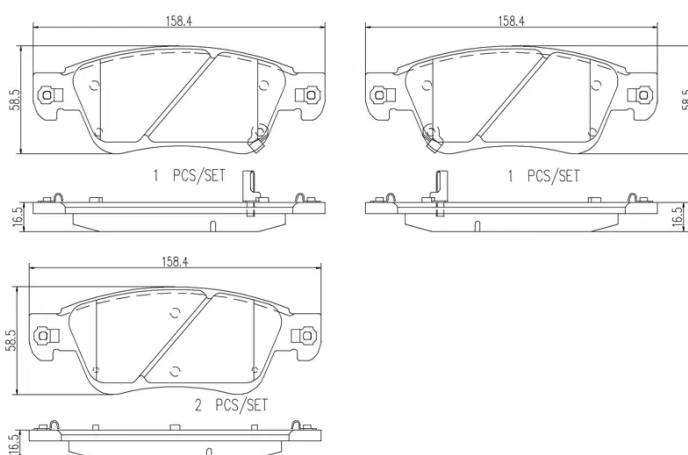
Brembo NAO brake pads stand out for their ultimate braking comfort, reduced friction wear and low dust mission, which makes for cleaner rims and reduced maintenance requirements. The advanced friction material in keeping with the strictest environmental standards is the main distinguishing feature of NAO compounds.

- ✓ OE-equivalent
- ✓ Brembo quality
- ✓ Safety
- ✓ Comfort
- ✓ Durability
- ✓ Dust reduction
- ✓ With accessories



Technical specifications

| | | |
|-----------------------------------|--|---|
| EAN code 8020584082676 | Axle Front | Thickness 17 mm |
| Width 158 mm | Height 59 mm | Braking system Teves |
| Wear indicator Acoustic | WVA number 24930,24932,24933 | Accessories With accessories With anti-squeal shim With piston clip |



COMPATIBLE VEHICLES

COMPATIBLE OE PART NUMBERS

| | |
|------------|----------|
| D1060JK000 | INFINITI |
| D1060JK00B | INFINITI |
| AY040NS143 | NISSAN |