



# BRAKE PAD PRIME CERAMIC P83054N

The P83054N NAO brake pad is  
synonymous with reliability

Brembo NAO brake pads stand out for their ultimate braking comfort, reduced friction wear and low dust mission, which makes for cleaner rims and reduced maintenance requirements. The advanced friction material in keeping with the strictest environmental standards is the main distinguishing feature of NAO compounds.

- ✓ OE-equivalent
- ✓ Brembo quality
- ✓ Safety
- ✓ Comfort
- ✓ Durability
- ✓ Dust reduction
- ✓ With accessories



## Technical specifications

EAN code  
**8020584099629**

Axle  
**Front**

Thickness  
**17 mm**

Width  
**117 mm**

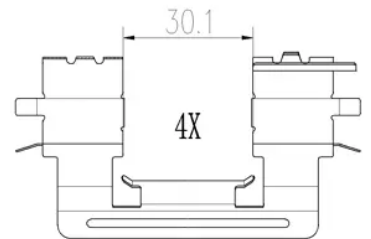
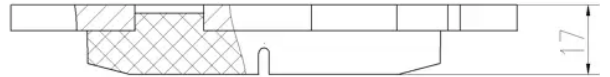
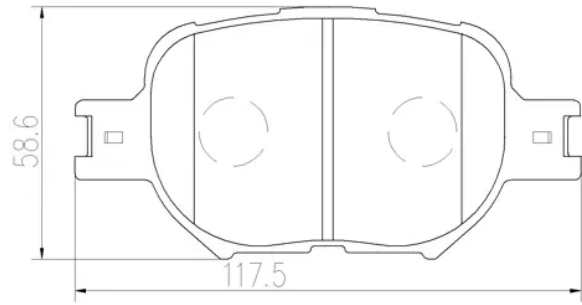
Height  
**59 mm**

Braking system  
**Akebono**

Wear indicator  
**Acoustic**

WVA number  
**23864**

Accessories  
**With anti-squeal shim**



COMPATIBLE VEHICLES

## COMPATIBLE OE PART NUMBERS

0446530330	LEXUS
0446530480	LEXUS
0446521030	SCION
0446502380	TOYOTA
0446513030	TOYOTA
044651A010	TOYOTA
0446520500	TOYOTA
0446520540	TOYOTA
0446520570	TOYOTA
044652B010	TOYOTA
044652B030	TOYOTA
044652B040	TOYOTA
0446530280	TOYOTA
0446530300	TOYOTA
044653048079	TOYOTA
0446532191	TOYOTA
0446532220	TOYOTA
04465YZZDF	TOYOTA
0446502380	TOYOTA (FAW)
0446502380	TOYOTA (GAC)