

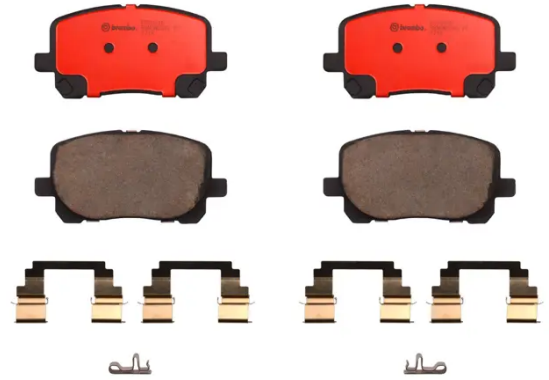


BRAKE PAD PRIME CERAMIC P83061N

The P83061N NAO brake pad is synonymous with reliability

Brembo NAO brake pads stand out for their ultimate braking comfort, reduced friction wear and low dust mission, which makes for cleaner rims and reduced maintenance requirements. The advanced friction material in keeping with the strictest environmental standards is the main distinguishing feature of NAO compounds.

- ✓ OE-equivalent
- ✓ Brembo quality
- ✓ Safety
- ✓ Comfort
- ✓ Durability
- ✓ Dust reduction
- ✓ With accessories



Technical specifications

EAN code
8020584099674

Axle
Front

Thickness
17 mm

Width
123 mm

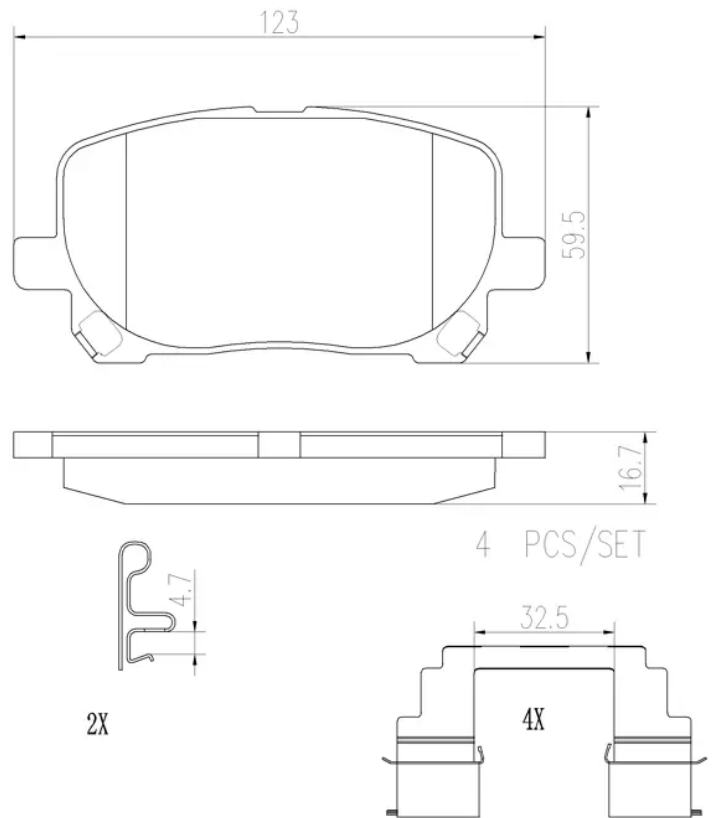
Height
60 mm

Braking system
Akebono

Wear indicator
Acoustic

WVA number
23836

Accessories
With anti-squeal shim



COMPATIBLE VEHICLES

COMPATIBLE OE PART NUMBERS

88972092	PONTIAC
88972096	PONTIAC
0446502070	TOYOTA
0446502080	TOYOTA
0446544050	TOYOTA
0446544060	TOYOTA
0446544080	TOYOTA
0446544090	TOYOTA
0446544100	TOYOTA
04465YZZCT	TOYOTA
446502070	TOYOTA