



# BRAKE PAD PRIME CERAMIC P85129N

The P85129N NAO brake pad is synonymous with reliability

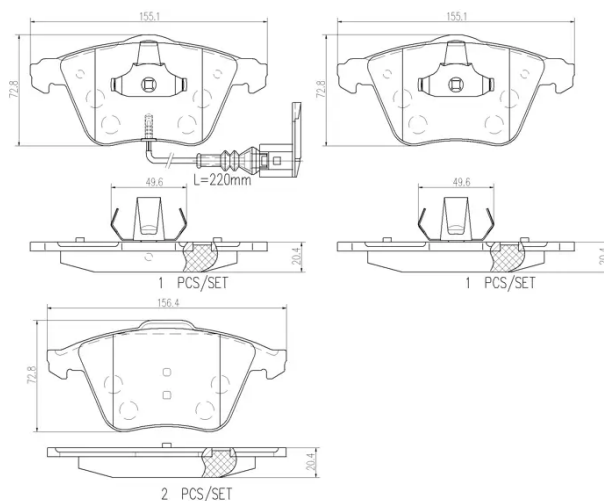
Brembo NAO brake pads stand out for their ultimate braking comfort, reduced friction wear and low dust mission, which makes for cleaner rims and reduced maintenance requirements. The advanced friction material in keeping with the strictest environmental standards is the main distinguishing feature of NAO compounds.

- ✓ OE-equivalent
- ✓ Brembo quality
- ✓ Safety
- ✓ Comfort
- ✓ Durability
- ✓ Dust reduction
- ✓ With accessories



## Technical specifications

EAN code <b>8020584068120</b>	Axle <b>Front</b>	Thickness <b>20 mm</b>
Width <b>155 mm</b>	Height <b>73 mm</b>	Braking system <b>Teves</b>
Wear indicator <b>Electric</b>	WVA number <b>23912,23913,24021</b>	Accessories <b>With accessories</b> <b>With anti-squeal shim</b> <b>With piston clip</b>



COMPATIBLE VEHICLES

## COMPATIBLE OE PART NUMBERS

8J0698151A	AUDI
------------	------

8J0698151F	AUDI
------------	------

8J0698151N	AUDI
------------	------

8P0698151	AUDI
-----------	------

8P0698151A	AUDI
------------	------

8J0698151A	SEAT
------------	------

8J0698151F	SEAT
------------	------

8P0698151	SEAT
-----------	------

8P0698151A	SEAT
------------	------

8J0698151A	SKODA
------------	-------

8J0698151F	SKODA
------------	-------

8P0698151	SKODA
-----------	-------

8P0698151A	SKODA
------------	-------

8J0698151A	VW
------------	----

8J0698151F	VW
------------	----

8J0698151N	VW
------------	----

8P0698151	VW
-----------	----

8P0698151A	VW
------------	----