



BRAKE PAD PRIME CERAMIC P86002N

The P86002N NAO brake pad is
synonymous with reliability

Brembo NAO brake pads stand out for their ultimate braking comfort, reduced friction wear and low dust mission, which makes for cleaner rims and reduced maintenance requirements. The advanced friction material in keeping with the strictest environmental standards is the main distinguishing feature of NAO compounds.

- ✓ OE-equivalent
- ✓ Brembo quality
- ✓ Safety
- ✓ Comfort
- ✓ Durability
- ✓ Dust reduction
- ✓ With accessories



Technical specifications

EAN code
8020584100172

Axle
Rear

Thickness
15 mm

Width
62 mm

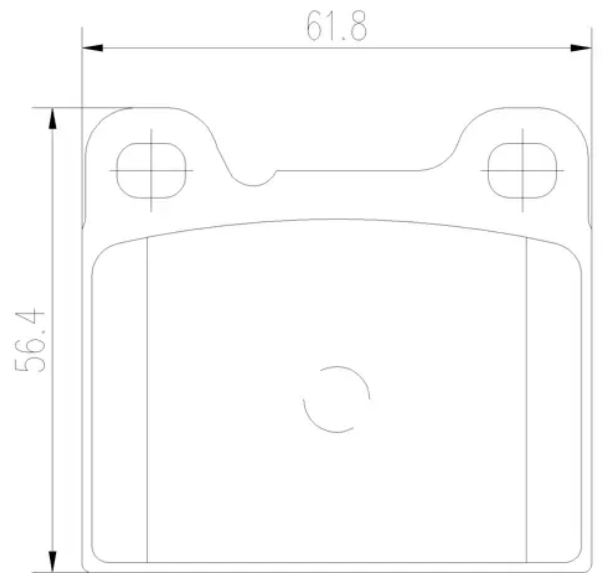
Height
56 mm

Braking system
Teves

Wear indicator
Without

WVA number
20755

Accessories
With anti-squeal shim



4PCS/SET

COMPATIBLE VEHICLES

COMPATIBLE OE PART NUMBERS

2713360	ALFA ROMEO
---------	------------

270166	VOLVO
--------	-------

2701662	VOLVO
---------	-------

271336	VOLVO
--------	-------

271477	VOLVO
--------	-------

2714772	VOLVO
---------	-------

271586	VOLVO
--------	-------

2715860	VOLVO
---------	-------

271668	VOLVO
--------	-------

271702	VOLVO
--------	-------

271758	VOLVO
--------	-------

2717580	VOLVO
---------	-------

2717585	VOLVO
---------	-------

271824	VOLVO
--------	-------

2718245	VOLVO
---------	-------

271959	VOLVO
--------	-------

2719599	VOLVO
---------	-------

271962	VOLVO
--------	-------

272407	VOLVO
--------	-------

2724078	VOLVO
---------	-------

272463	VOLVO
--------	-------

2724630	VOLVO
---------	-------

2724631	VOLVO
---------	-------

272531	VOLVO
--------	-------

272535	VOLVO
--------	-------

272569	VOLVO
--------	-------

2725695	VOLVO
---------	-------

2727741	VOLVO
---------	-------

272782	VOLVO
--------	-------

2727820	VOLVO
---------	-------

2728700	VOLVO
---------	-------

2728707	VOLVO
---------	-------

272911	VOLVO
--------	-------

30793802	VOLVO
----------	-------

307938020	VOLVO
-----------	-------

31261185	VOLVO
----------	-------

312611850	VOLVO
-----------	-------

8628240	VOLVO
---------	-------