



# BRAKE PAD

## P 30 032

The P 30 032 brake pad is synonymous with reliability

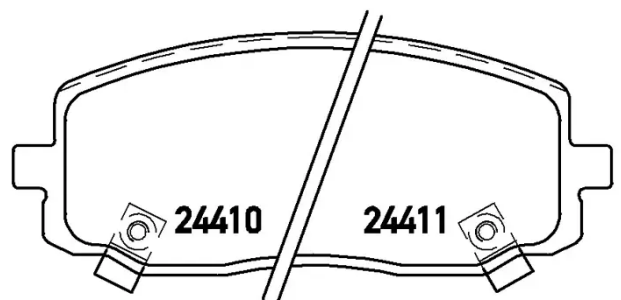
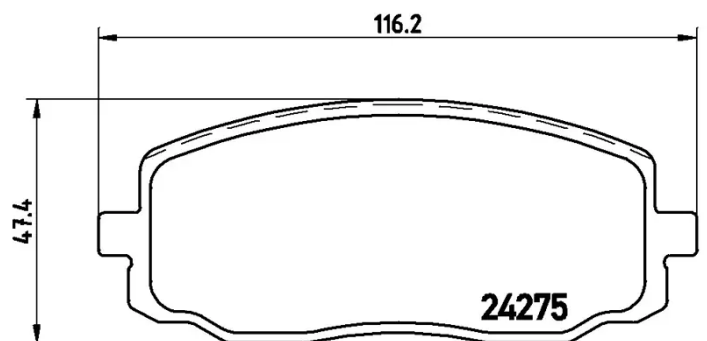
The Brembo brake pad guarantees ultimate safety when braking thanks to the use of more than 100 different compounds, designed according to the type of vehicle and use. Stopping distances reduced to a minimum, maximum driving comfort and silent operation are the most important features of Brembo materials. Brembo brake pads are supplied together with an extensive range of accessories and assembly kits for professional-standard installation.

- ✓ OE-equivalent
- ✓ Brembo quality
- ✓ ECE-R90 certificate
- ✓ Safety
- ✓ Performance
- ✓ Comfort



### Technical specifications

EAN code	Axle	Thickness
<b>8020584060704</b>	<b>Front</b>	<b>17 mm</b>
Width	Height	Braking system
<b>116 mm</b>	<b>47 mm</b>	<b>Mando</b>
Wear indicator	WVA number	Accessories
<b>Acoustic</b>	<b>24275,24410,24411</b>	<b>With anti-squeal shim</b>



## COMPATIBLE OE PART NUMBERS

581010XA01	HYUNDAI
------------	---------

581010XA10	HYUNDAI
------------	---------

5810107A10	KIA
------------	-----

5810107A20	KIA
------------	-----

581010XA01	KIA
------------	-----

5810107A00	NAZA
------------	------