



# BRAKE PAD XTRA P 61 135X

The P 61 135X Xtra brake pad is synonymous with reliability

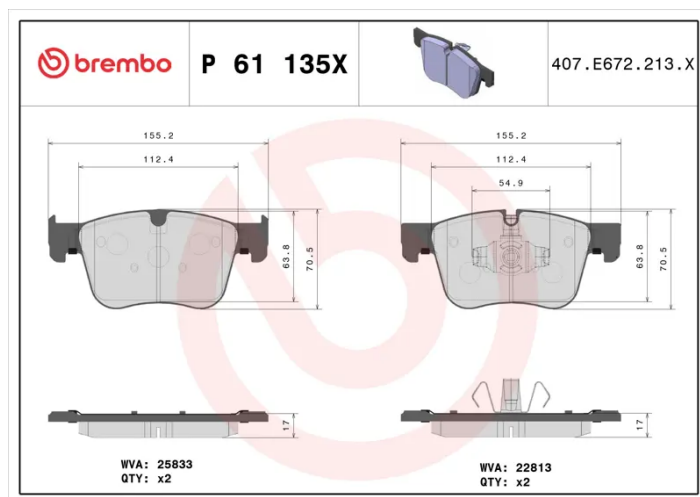
Brembo Xtra brake pads, developed to enhance the advantages of the Xtra and Max discs, are made using the special BRM X L01 compound which consists of more than 30 different components. Compared with the compound used for original-equivalent pads, the new solution assures a higher friction coefficient, which translates to more precise and stable braking, at both high and low temperatures. All this makes for greater driving comfort and improved pedal modularity, without compromising the product's mileage output.



- ✓ Brembo quality
- ✓ ECE-R90 certificate
- ✓ Safety
- ✓ Performance
- ✓ Sports driving
- ✓ With accessories

## Technical specifications

EAN code <b>8020584121788</b>	Axle <b>Front</b>	Thickness <b>17 mm</b>
Width <b>155 mm</b>	Height <b>70 mm</b>	Braking system <b>Teves</b>
Wear indicator <b>Prepared for wear indicator</b>	WVA number <b>22813,25833</b>	Accessories <b>With accessories With anti-squeal shim With piston clip</b>



COMPATIBLE VEHICLES

## COMPATIBLE OE PART NUMBERS

1623162380 CITROËN

---

1636925480 CITROËN

---

1667817080 CITROËN

---

93487177 OPEL

---

95525370 OPEL

---

1623162380 PEUGEOT

---

1636925480 PEUGEOT

---

1667817080 PEUGEOT

---

1678168480 PEUGEOT

---

SU001A8883 TOYOTA

---

SU001B3587 TOYOTA

---

93487177 VAUXHALL

---

95525370 VAUXHALL

---