



SPORT | HP2 BRAKE PADS

07.D435.65

The **07.D435.65** brake pad is synonymous with reliability

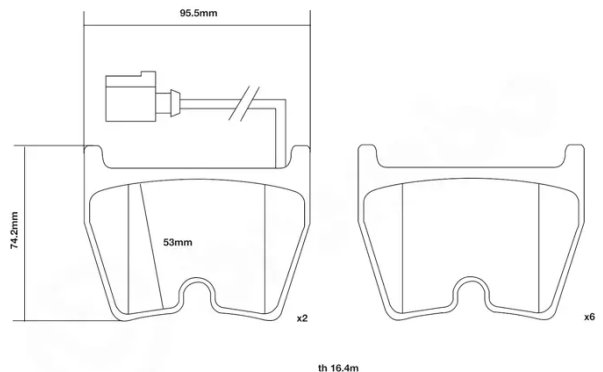
HP2 brake pads offer outstanding cold performance a good bite, superior fading resistance, and friction stability in all conditions and low dust levels. Thanks to the friction material, they provide significant advantages over their competitors. Designed to be interchangeable with original equipment brake pads (OE), they are approved to ECE-R90.

- ✓ OE-equivalent
- ✓ Brembo quality
- ✓ ECE-R90 certificate
- ✓ Safety
- ✓ Performance
- ✓ Comfort
- ✓ Sports driving
- ✓ Sporty look



Technical specifications

Width	Thickness
96 mm	16 mm
WVA number	Axle
22033,22491,23751	Front
EAN code	
8020584604496	



COMPATIBLE VEHICLES