



BRAKE PAD PRIME CERAMIC P56109N

The P56109N NAO brake pad is synonymous with reliability

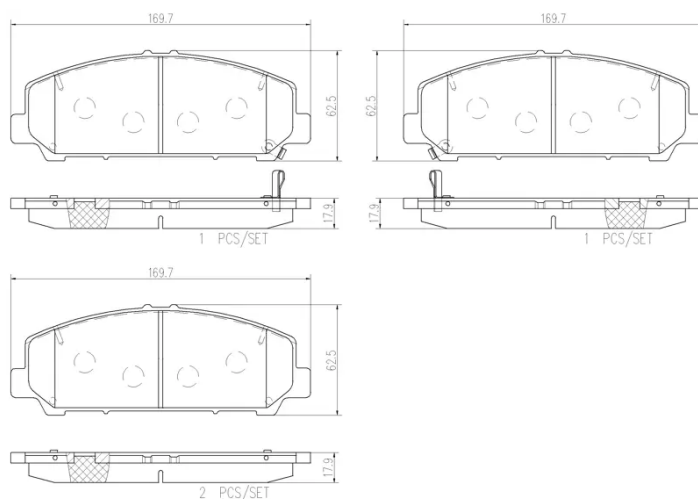
Brembo NAO brake pads stand out for their ultimate braking comfort, reduced friction wear and low dust mission, which makes for cleaner rims and reduced maintenance requirements. The advanced friction material in keeping with the strictest environmental standards is the main distinguishing feature of NAO compounds.

- ✓ OE-equivalent
- ✓ Brembo quality
- ✓ Safety
- ✓ Comfort
- ✓ Durability
- ✓ Dust reduction
- ✓ With accessories



Technical specifications

EAN code 8020584082683	Thickness 18 mm	
Width 170 mm	Height 63 mm	Braking system Akebono
Wear indicator Acoustic	WVA number 22042,22043,22044	Accessories With anti-squeal shim



COMPATIBLE OE PART NUMBERS